

Tek-CARE150 TekTip: Two New Application Drawings for NC267 Wireless Receivers

Since our last TekTip, which also dealt with the NC267, we have added two new application drawings. They demonstrate the various applications of the NC267 with the NC110N, NC150N and NC200N Nurse Call Systems. The diagram for the NC150N and NC200N is included below. The diagram for the NC110N will be included in the next TekTip.

As indicated in the drawing, the NC267 has three potential applications in this system:

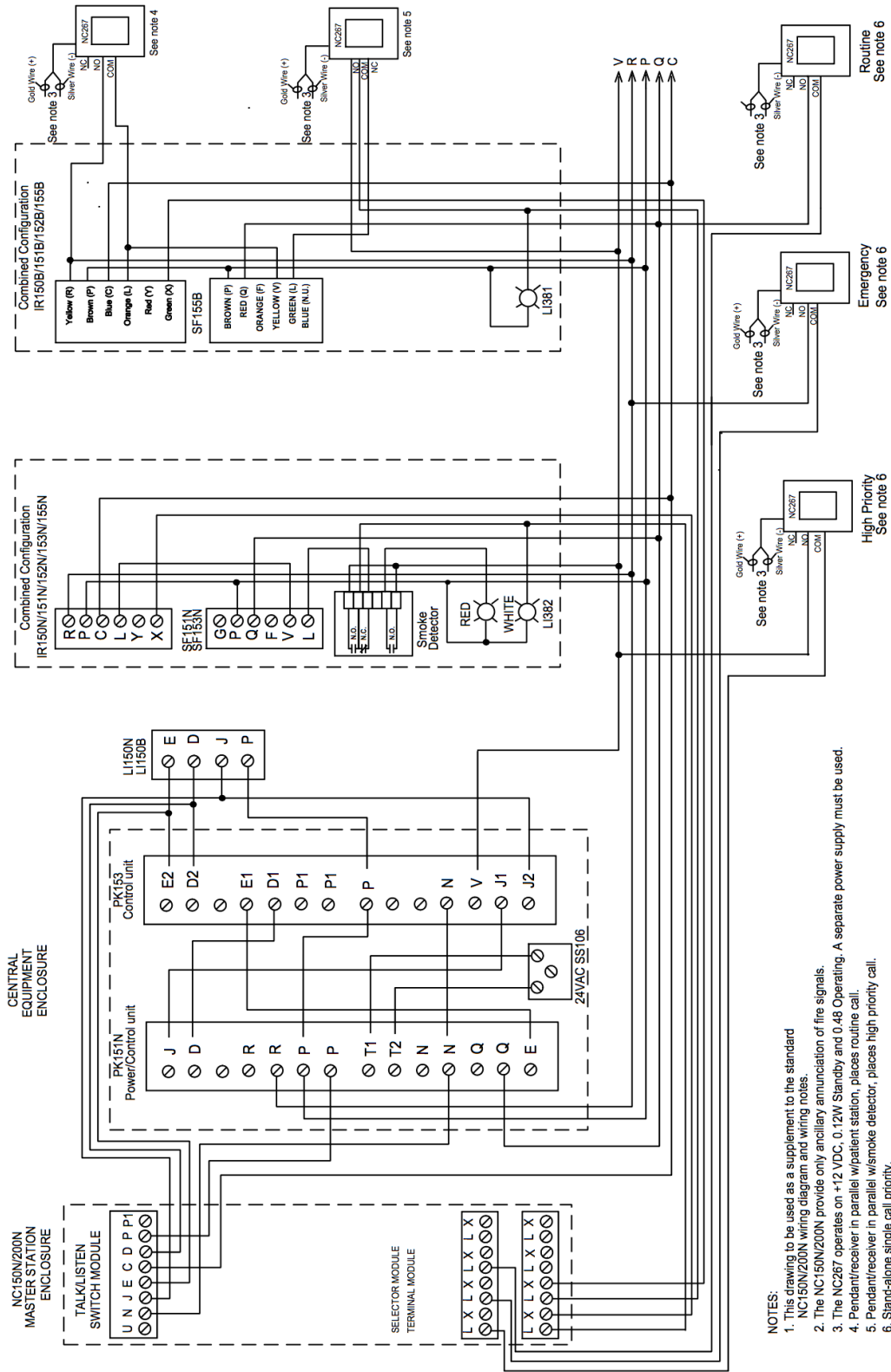
Figure 1. Parallel connection to an SF100C Patient Station. This scenario allows the associated SF067 pendant to place a "routine" call, comparable to pressing the call cord button.

Figure 2. Connection for "high priority" call placement in conjunction with bed and bath call stations.

Figure 3. Stand alone call placement of a single priority type. This scenario can be set up for "routine," "emergency" and "high priority" as indicated.

It should be noted that the NC267 is a latching device and must be reset by pressing the red button located on the device. The installer should also note that the NC267 requires a separate +12 VDC power source. Power consumption in standby mode is 0.12W and 0.48W during activation. See the next page for more detail.

(Jan. 2001)



- NOTES:**
1. This drawing to be used as a supplement to the standard NC150N/200N wiring diagram and wiring notes.
 2. The NC150N/200N provide only ancillary annunciation of fire signals.
 3. The NC287 operates on +12 VDC, 0.12W Standby and 0.48 Operating. A separate power supply must be used.
 4. Pendant/receiver in parallel w/patient station, places routine call.
 5. Pendant/receiver in parallel w/smoke detector, places high priority call.
 6. Stand-alone single call priority.

