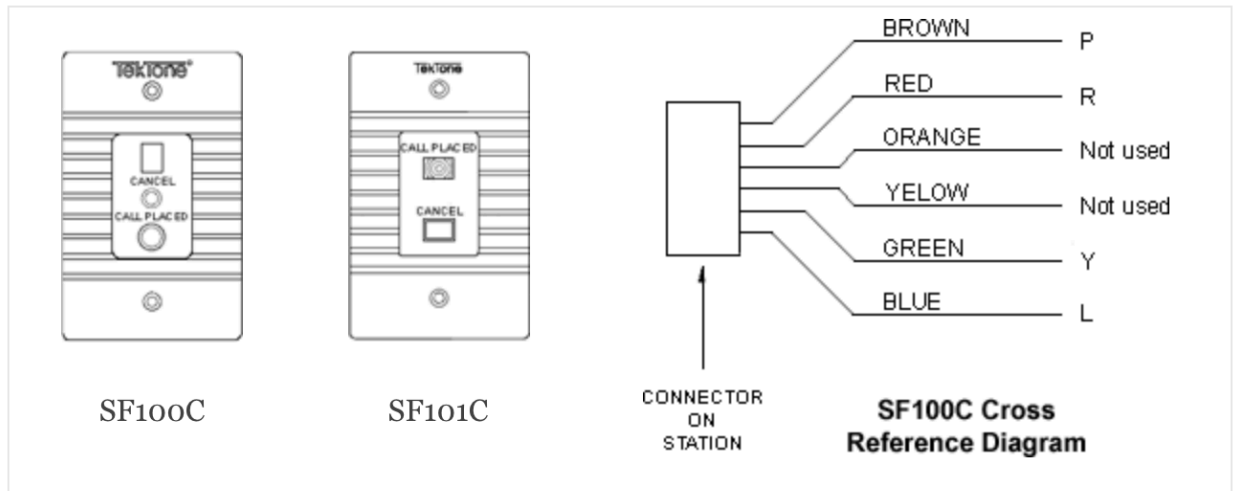


Tek-CARE150 TekTip: SF100C/SF101C Wiring Application: Cross Reference Wiring Diagrams for NC110N Application

The SF100C and SF101C were redesigned for two reasons. The first reason was to allow their usage in the NC205 system as well as the system listed above. The second reason was to go to the new plastic style faceplates. During the design process the terminal strip (used on the SF100N and SF101N) was eliminated in favor of the plug-on style header. The new devices are connected by wire color using the cross diagrams.



(Jan. 1998)