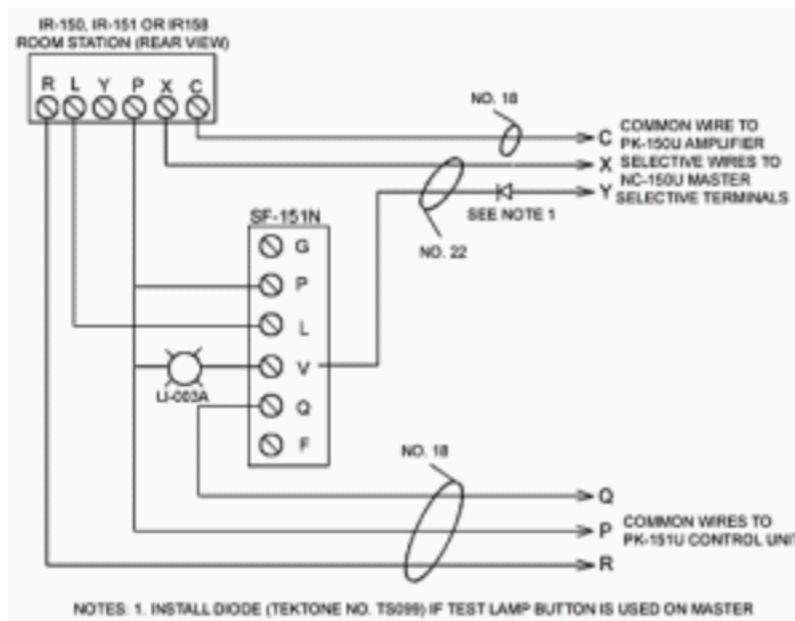


Tek-CARE150 TekTip: Interchanging Old Model NC150U with New NC150N/NC200N Nurse Call Systems

The patient, duty and emergency stations used with the new NC150N/NC200N Nurse Call Systems are completely interchangeable with the old model NC150U system components.

The only exception to this is when an SF151N is used to replace an SF151U Emergency Station as part of an NC150U system. Because the terminal identifications are different, the SF151N requires wiring connections different from that of the SF151U.

The following diagram shows the correct connections to the SF151N from an existing NC150U system.



(May. 1987)