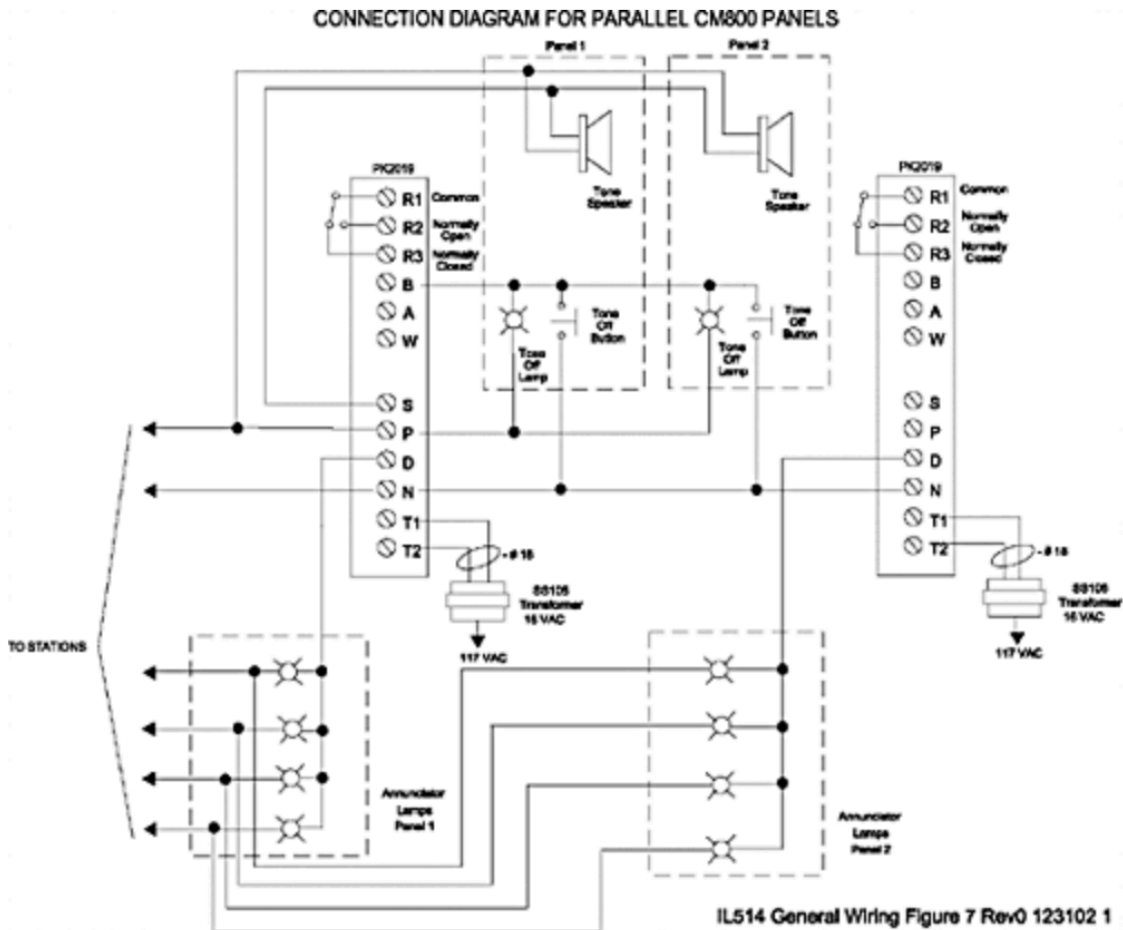


## TekTip: Paralleled CM800 Application Drawing

Recently, based on customer feedback, we determined that there was a need for a paralleled CM800 Annunciator Panel application drawing. This drawing will now be included in [IL514](#) which is the Installation Instructions for the CM800/CM900 Annunciator Panels.

Please note that the "D" terminals are not connected together.



(June 1995)