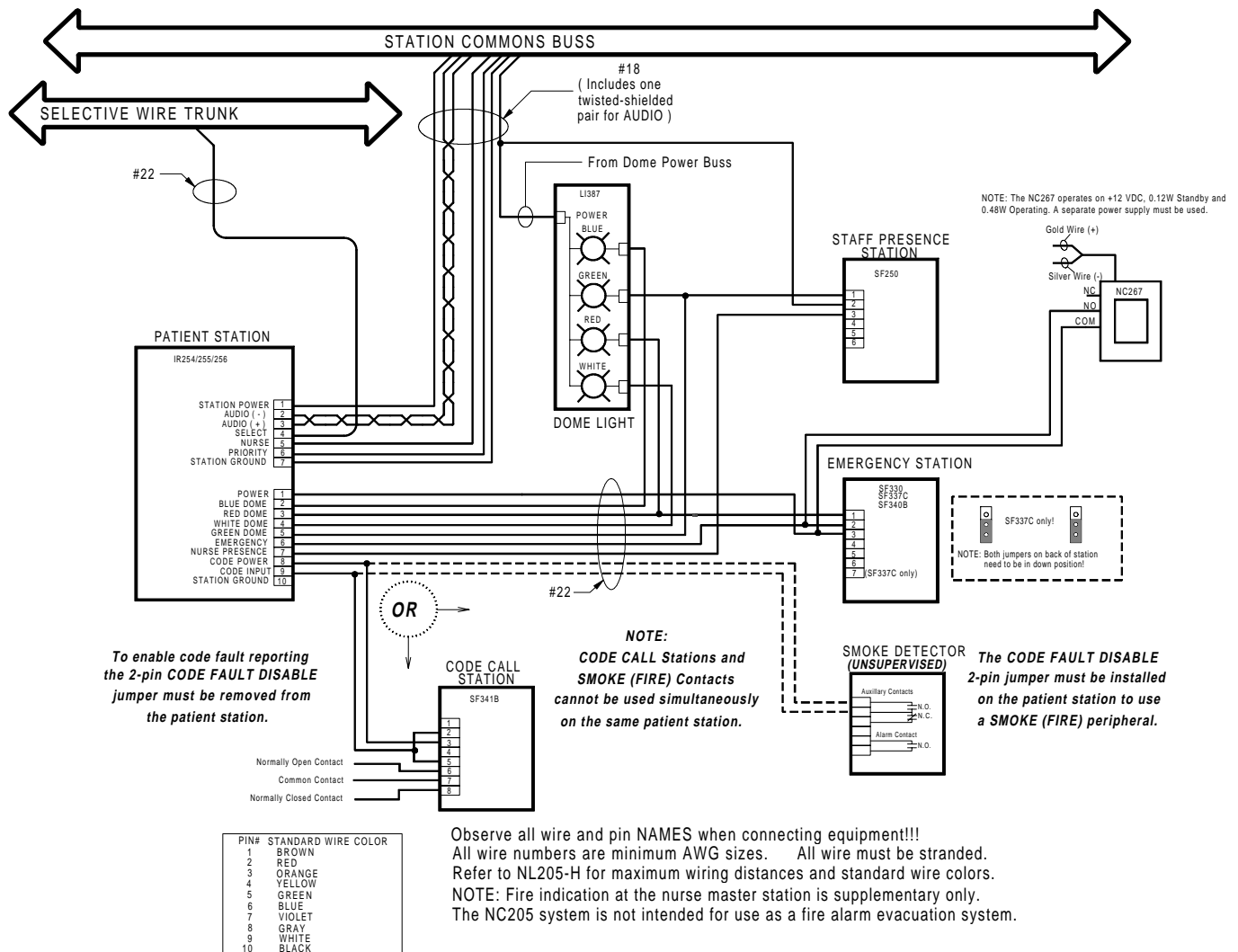




# NC267 / NC367 / SF067 Wireless Transmitter and Receiver Installation Instructions

IL686  
Section E  
Rev. 3-12/2000

## IR254-IR256 ENHANCED STATION WIRING with NC267 (includes "SF" and "LI" peripherals)

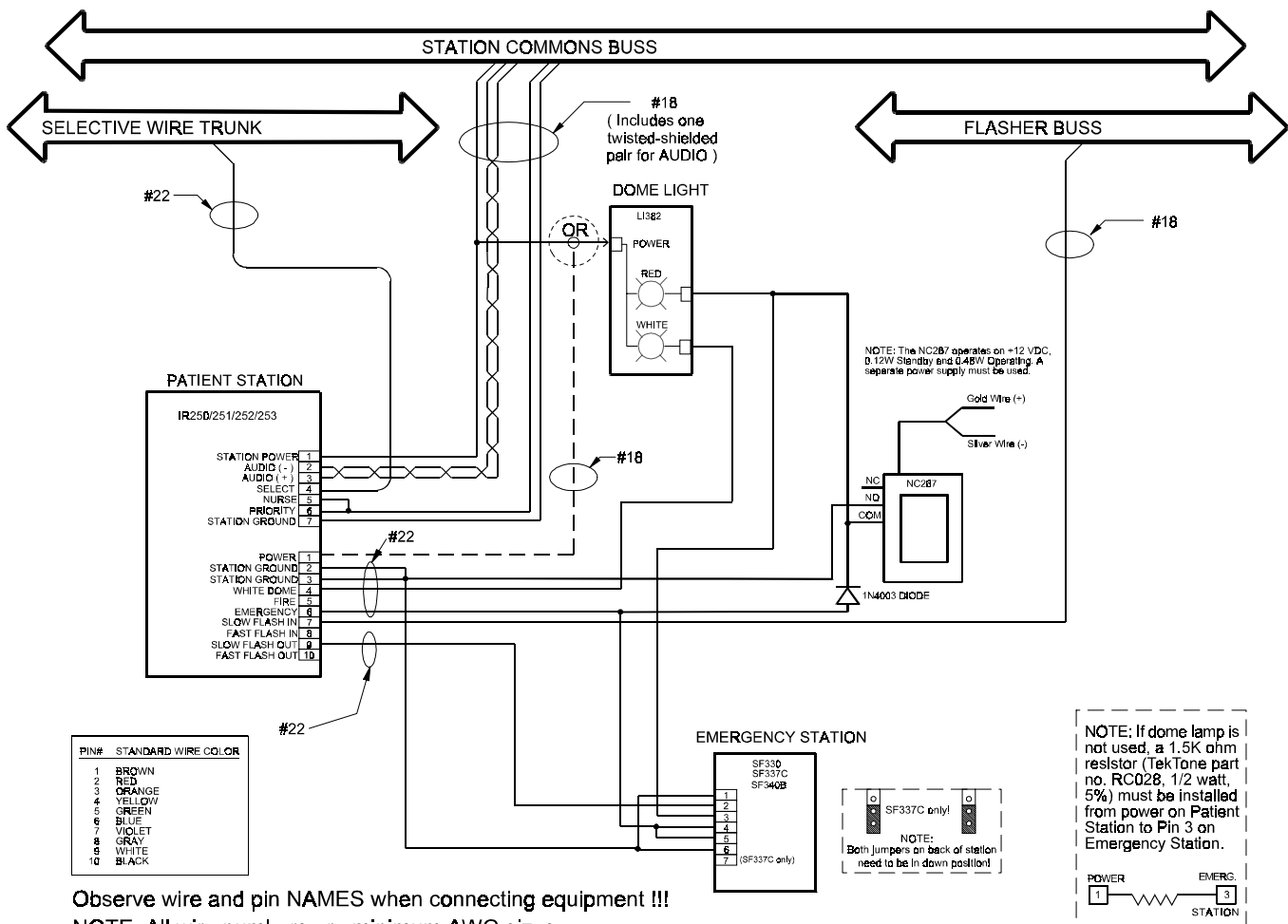


IL686 NC267.dc

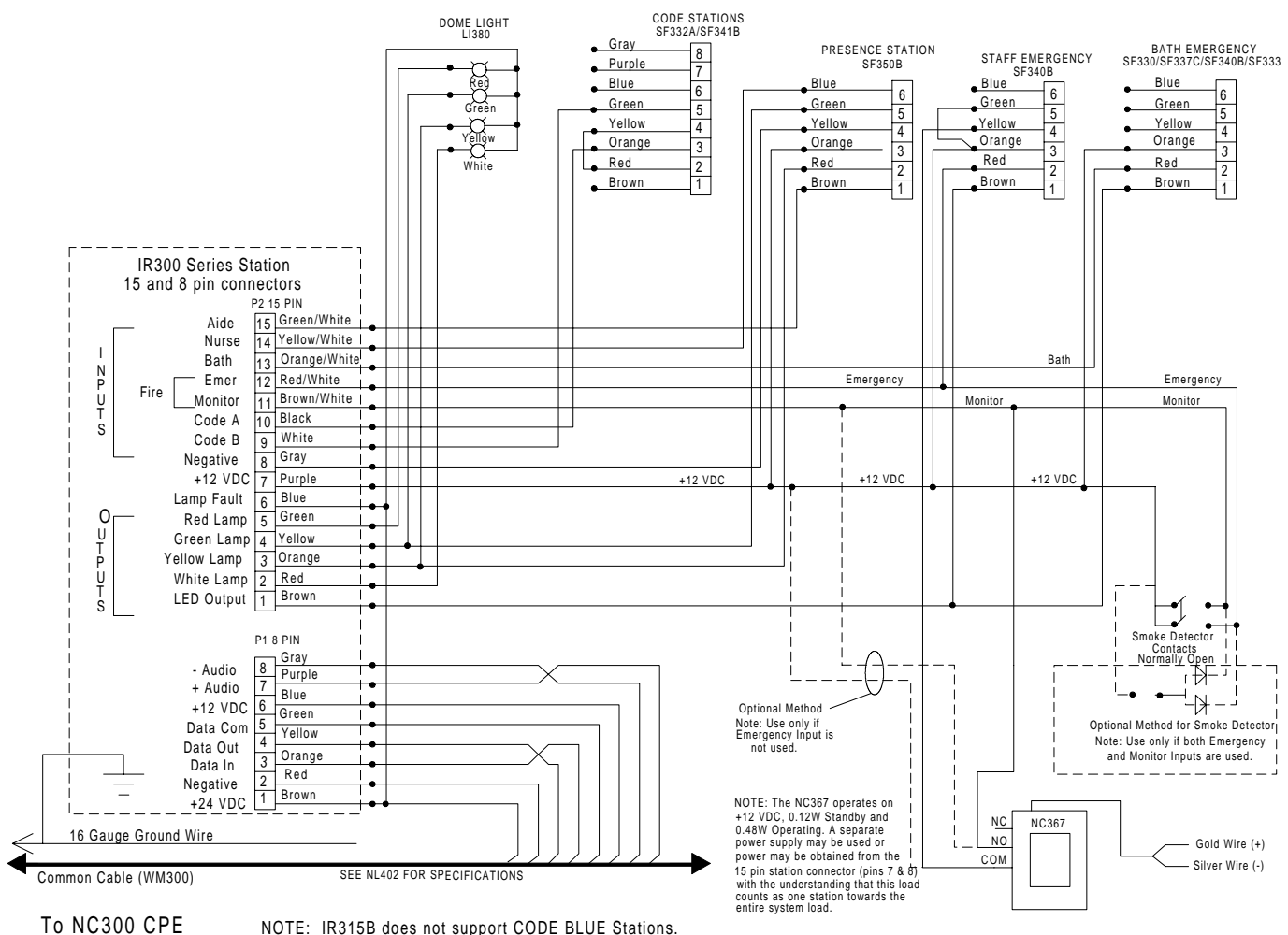
277 Industrial Park Road • Franklin, North Carolina 28734 • Phone (828) 524-9967 • Fax (828) 524-9968  
4190 Fairview St., Unit B-8 • Burlington, ON, Canada L7L-4Y8 • Phone (905) 333-0051 • Fax (905) 333-0599  
1331 S. Killian Drive • Lake Park, Florida 33403

World Wide Web Site: [www.tektone.net](http://www.tektone.net) — Email: [tektone@tektone.net](mailto:tektone@tektone.net) — Technical Assistance Email: [teksupt@tektone.net](mailto:teksupt@tektone.net)

## IR250-IR253 STANDARD STATION WIRING with NC267 (includes "SF" and "LI" peripherals)

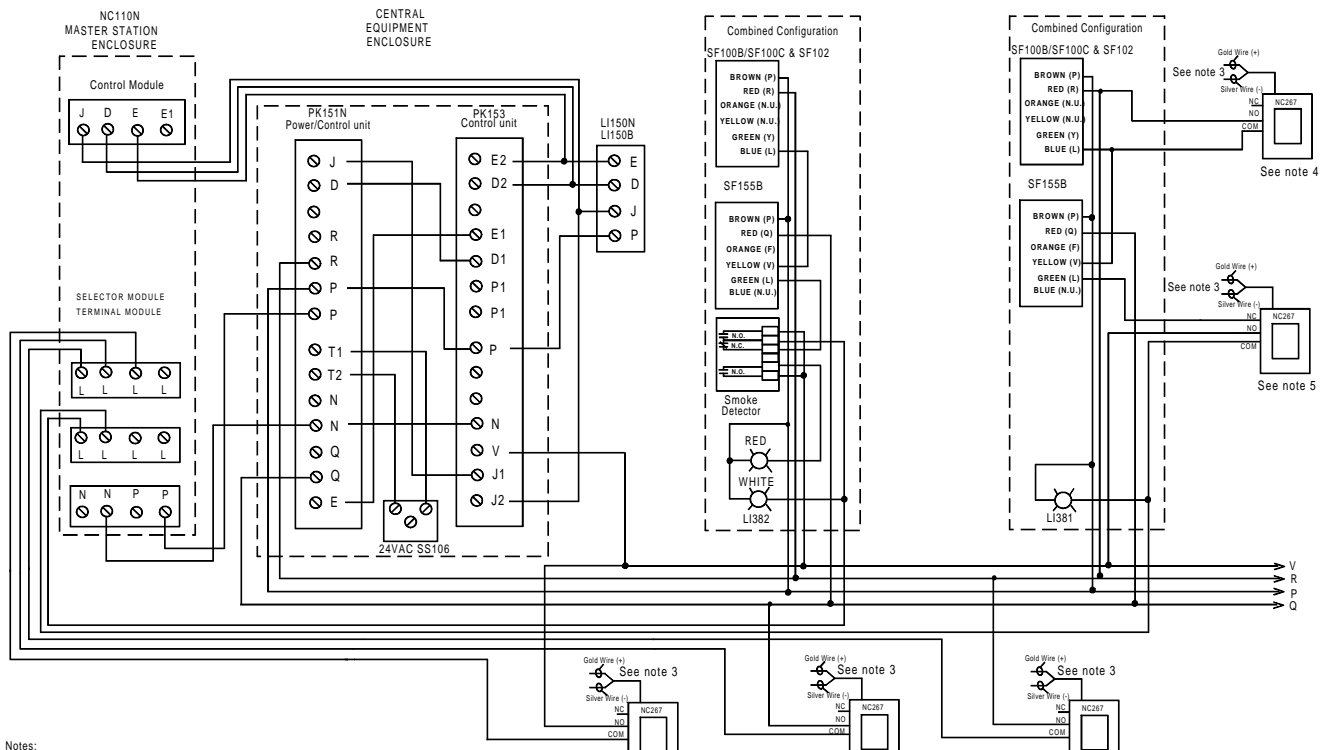


## IR300B SERIES CONNECTIONS TO NC367 (with peripheral devices)





## NC267 Wiring Diagram for NC110N System



**Notes:**

1. This drawing to be used as a supplement to the standard NC110N wiring diagram and wiring notes.
2. The NC110N provides only ancillary annunciation of fire signals.
3. The NC267 operates on +12 VDC, 0.12W Standby and 0.48 Operating. A separate power supply must be used.
4. Pendant/receiver in parallel w/patient station, places routine call.
5. Pendant/receiver in parallel w/smoke detector, places high priority call.
6. Stand-alone single call priority.

## NC267 Wiring Diagram for NC150N/200N System

