

**Application**

TekTone's PM368K Short Haul Modem Kit increases the distance of serial signaling data by converting RS232 signaling to RS422 signaling and using up to 2000' of CAT5 cable. This extends the distance between the Tek-PAGING<sup>®</sup> system, the Tek-MMARS<sup>®</sup>II system, the Tek-CARE300II Central Equipment, and the \*Tek-BRIDGE<sup>®</sup> Server.

The PM368K provides support for the CTS/RTS signals needed for supervision functionality.

**Each PM368K Kit includes:**

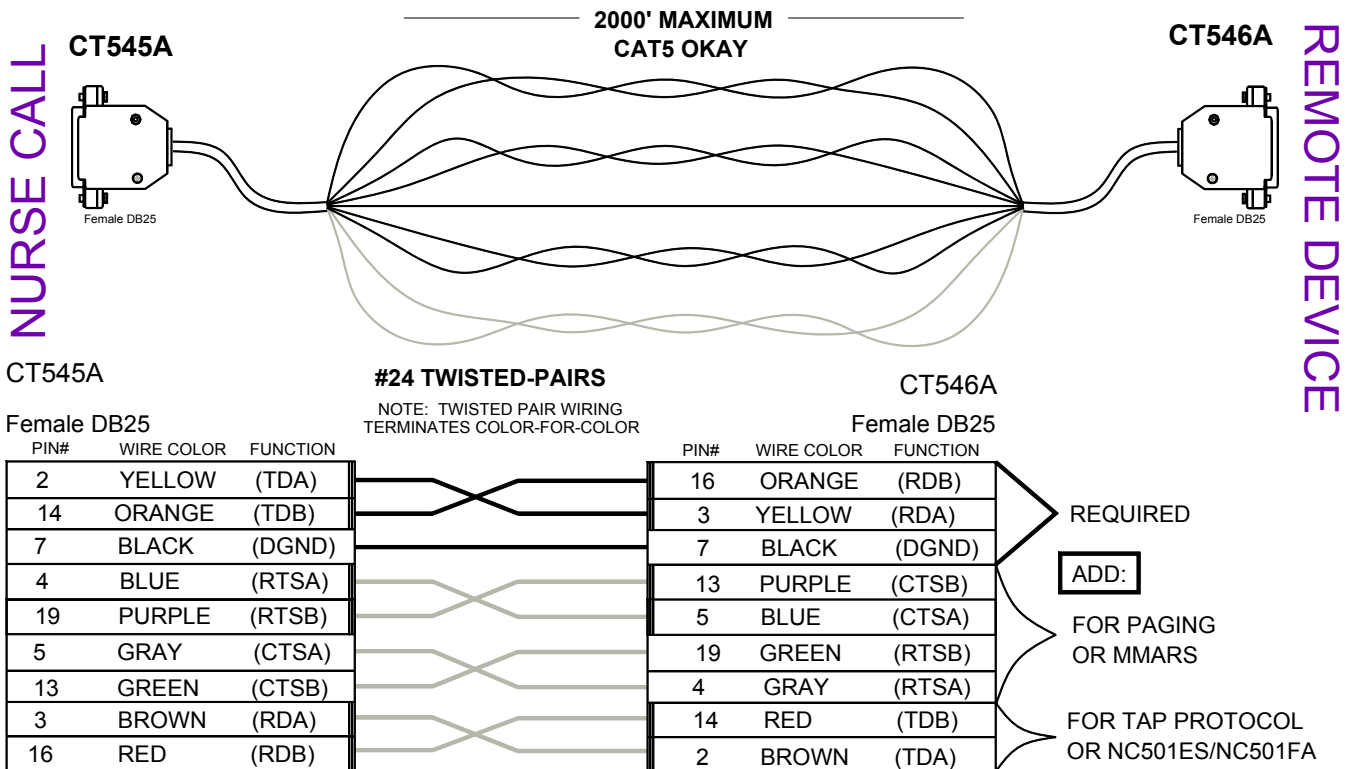
- Two PM368 short haul modems
- Two SS368 power transformers
- Six connector cable assemblies (Two CT544s, one CT545A, one CT546A, one CT547, and one CT549 with CA132)

**Installation**

1. Make all connections as shown in *Figures 1–4*. All connector assemblies are labeled and must be connected in the correct order and position. At least one cable will be unused:
  - The NC369 Paging Transmitter configuration does not use the CT547.
  - The NC365A/NC366A Paging Transmitter configuration does not use the CT547, CT549 and CA132.
  - The Tek-MMARS<sup>®</sup>II/serial printer configuration uses just one of the two CT544 cables, and does not use the CT549 and CA132.
2. Plug the SS368 power transformers into a 120VAC outlet.

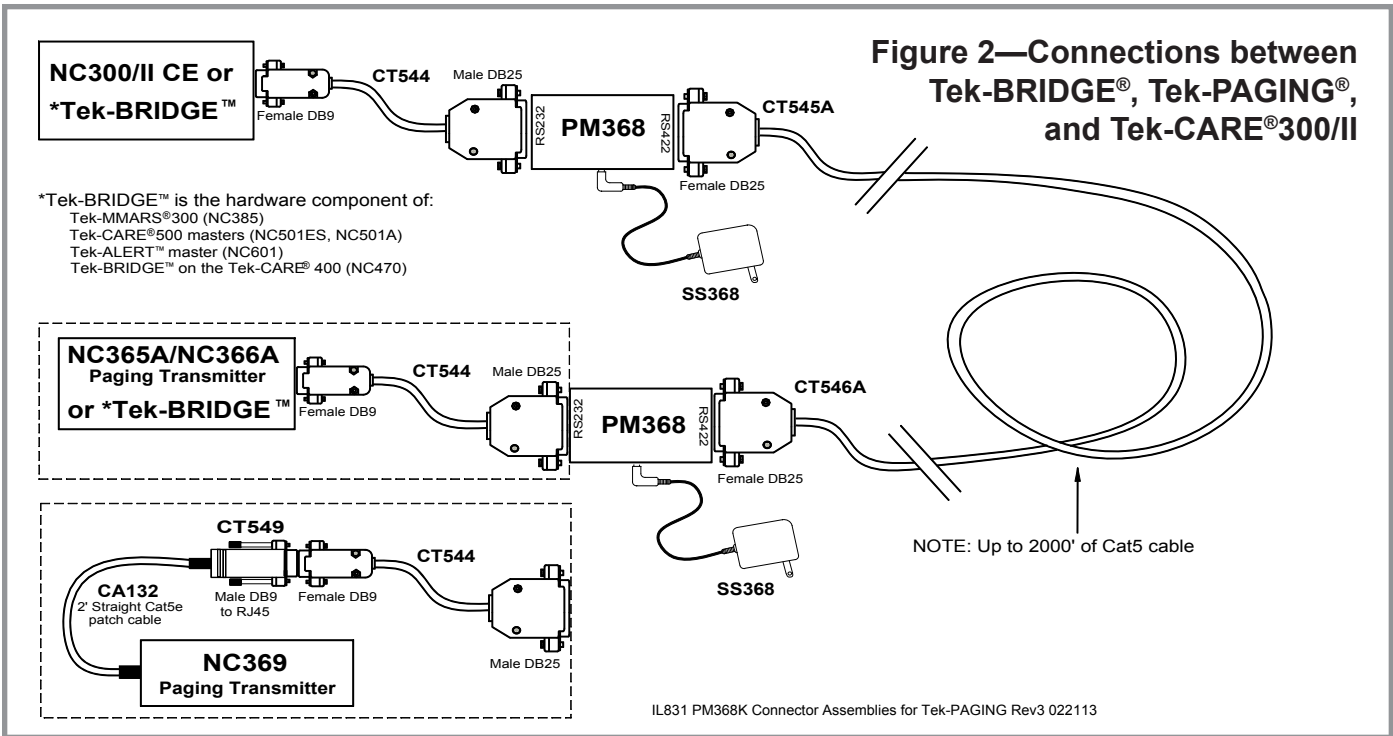
\* Tek-BRIDGE<sup>®</sup> Server is the hardware component of NC385 Tek-MMARS<sup>®</sup>300; NC601 Tek-ALERT<sup>®</sup> master; NC501A and NC501A Tek-CARE<sup>®</sup>500 masters; and NC470 Tek-BRIDGE<sup>®</sup> Server on the Tek-CARE<sup>®</sup>400.

**Figure 1—CT545A to CT546A Wiring Connections**



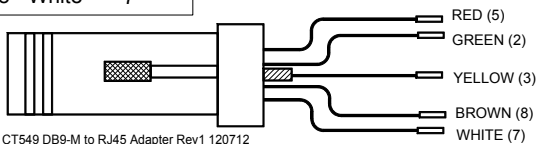
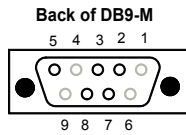
DEDICATE UNUSED CONDUCTORS TO DATA GROUND (DGND)

IL831 PM368K CT545A CT546A Connector Assembly Rev4 120712 1



RJ45	DB9-M
1 - Blue	- cut
2 - Orange	- cut
3 - Black	- cut
4 - Red	- 5
5 - Green	- 2
6 - Yellow	- 3
7 - Brown	- 8
8 - White	- 7

- Insert wires into the back of the DB9-M connector. Wires will lock into place.
- Cut unused wires. See table for correct pin outs.



IL831 CT549 DB9-M to RJ45 Adapter Rev1 120712

### Figure 3—CT549 Adapter Connections

FOR NC510/NC510ES APPLICATIONS

(NC510/ES) - (PM368)  
DB9M - DB25M

2	---	2
3	---	3
5	---	7

