



AM/CM Series Apartment Intercom Installation Instructions

IL413
Section A
Rev. 13 - 04/2001

APPLICATION

The AM/CM Series Apartment Intercom System provides two-way loudspeaking communication between a building entrance and each apartment, and permits controlled entry by push button operation of the electric door release. Optional equipment is available to provide a wide variety of additional functions, such as delayed door lock operation, post office key door release, additional entrance panel, etc. (For small buildings, use the AM series. See IL318, or contact factory for details.)

PROCEDURE

1. Read the following instructions to determine equipment location and installation methods.
2. Install housings and wiring.
3. Check wiring. Connect and install equipment.
4. Apply power and check operation.

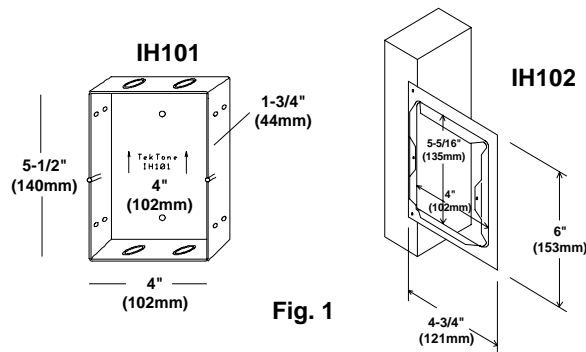


Fig. 1

EQUIPMENT LOCATION & HOUSING INSTALLATION

Suite Stations (IR104C) - should be located as shown on the plans, or where convenient for use, about 56" (142 cm) from the finished floor. Flush wall mounting requires installation of an IH102 Plaster Ring as shown in Fig. 1. Surface mounting requires the use of an IH400 Series housing. Use a IH101 box for conduit wiring.

Number of Suites	FLUSH HOUSING Wall Opening			SURFACE FRAME Overall		
	Model	Width A/Metric	Height/Metric	Model	Width/Metric	Height/Metric
16-60	OH192	8-1/2" (216mm)	17-1/4" (438mm)	OF192S	10-1/4" (260mm)	19" (483mm)
64-120	OH194	16-1/2" (413mm)	17-1/4" (438mm)	OF194S	18-1/4" (464mm)	19" (483mm)
124-140	OH195	20-1/2" (521mm)	17-1/4" (438mm)	OF195S	22-1/4" (565mm)	19" (438mm)
144-180	OH196	24-1/2" (622mm)	17-1/4" (438mm)	OF196S	26-1/4" (667mm)	19" (438mm)

Fig. 2

NOTES:

1. For larger sizes, consult factory for dimensions.
2. The use of an AM190P Post Office Lock Panel or other accessory may require use of the next larger housing size.
3. OF190S Series depth from wall surface, 2-1/4" (57mm).

ENTRANCE PANEL ROUGH-IN FRAMING DETAIL

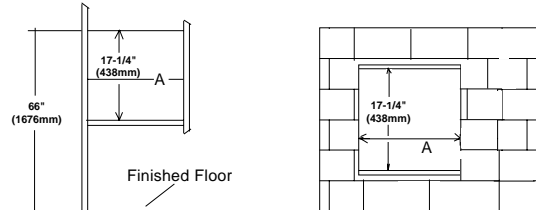
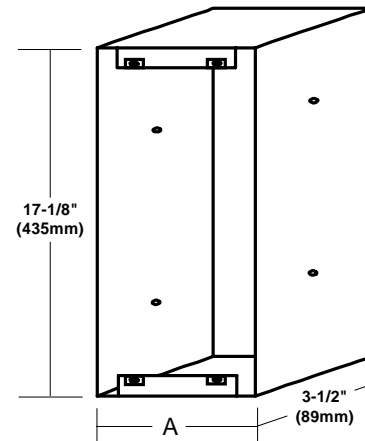


Fig. 3

OH190 SERIES ENTRANCE PANEL HOUSING



Entrance Panel - Flush wall mounting requires the use of an OH190 Series housing and OF190 Series frame. Surface mounting requires the use of an OF190S Series frame. For housing size needed and dimensions, see Fig. 2. For installation details, see Fig. 3. **Locate entrance panel in such a way that it is sheltered from precipitation.**

Amplifier - may be installed inside entrance panel when using OH190 Series housing. Amplifier must be installed outside of entrance panel when using an OF190S Series surface frame.

OPTIONAL ACCESSORIES

Connect and install any accessories according to instructions supplied.

SECOND ENTRANCE

An additional entrance panel may be accommodated by using a PK502B Transfer Relay. Before running wire, see PK502B installation instructions IL499 for proper method.

277 Industrial Park Road • Franklin, North Carolina 28734 • Phone (828) 524-9967 • Fax (828) 524-9968
4190 Fairview St., Unit B-8 • Burlington, ON, Canada L7L-4Y8 • Phone (905) 333-0051 • Fax (905) 333-0599
1331 S. Killian Drive • Lake Park, Florida 33403

World Wide Web Site: www.tektone.net — Email: tektone@tektone.net — Technical Assistance Email: teksupt@tektone.net