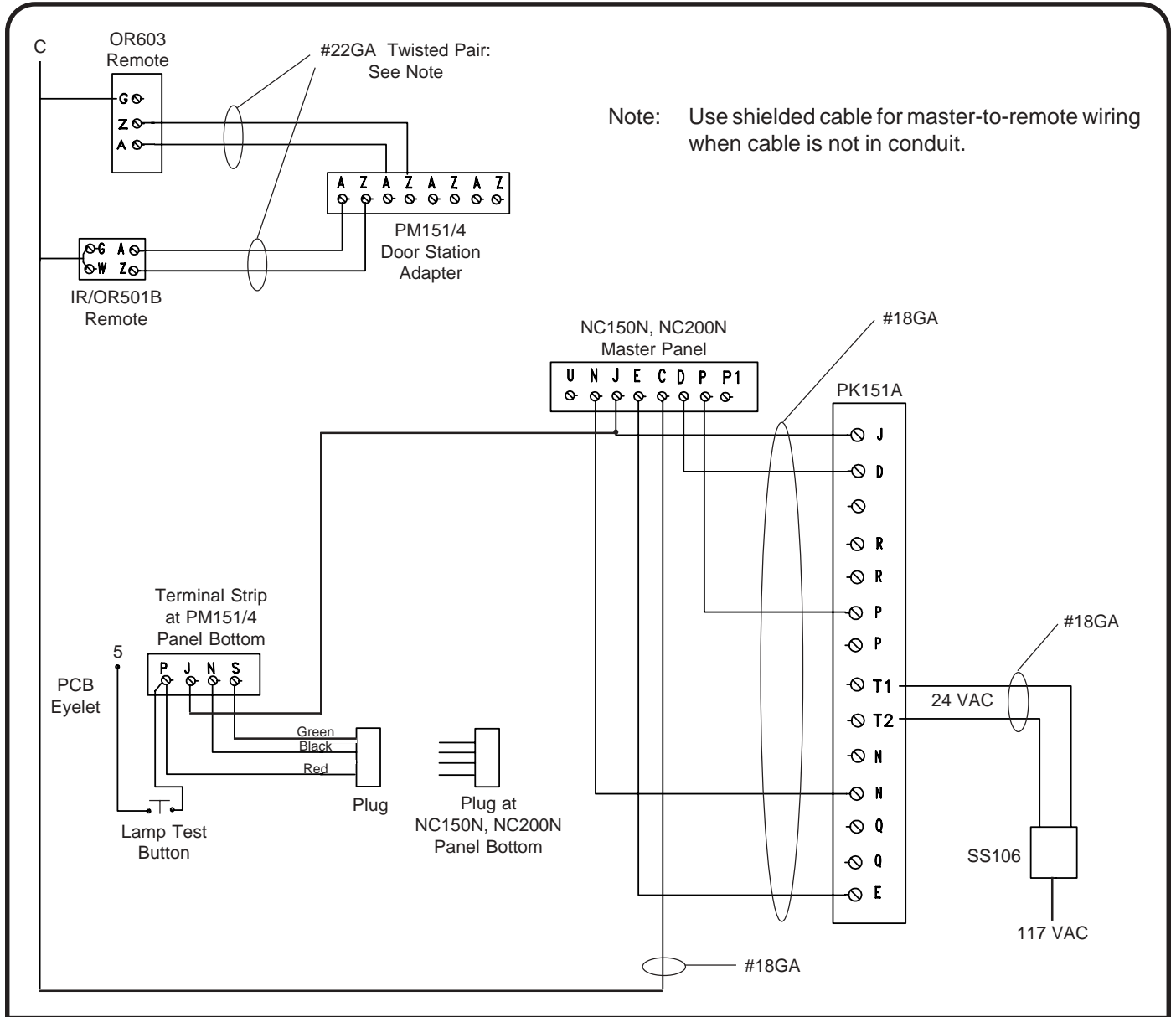




# PM151/4 Door Answering Module for Tek-CARE® NC150N, NC200N Wiring Diagram

IL392  
Section E  
Rev. 7 - 09/2004



Copyright © TekTone Sound & Signal Mfg., Inc. All Rights Reserved.

## OPERATION

- Incoming calls are indicated by tone and lamp annunciation.
- To answer a call, press the associated station selector button and use the **TALK** button as instructed in the Tek-CARE® NC150N Manual.
- To call a remote, press the associated station selector button, then press the **CALL** button to transmit the call tone. Use the **TALK** button as instructed in the Tek-CARE® NC150N Manual.
- Release the station selector button at the end of the conversation.

[www.tektone.NET](http://www.tektone.NET)

277 Industrial Park Road • Franklin, NC 28734 • Phone (828) 524-9967 • Fax (828) 524-9968  
 Email: [tektone@tektone.net](mailto:tektone@tektone.net) • Technical Assistance Email: [teksupt@tektone.net](mailto:teksupt@tektone.net)  
 TekTone®'s quality system is registered by UL® to the ISO 9001:2000 standard. (File #A10766.)