



*Communications
for today... and tomorrow*

Tek-SAFE™ Area of Rescue Assistance System

Specification Sheets Submittal Package

as of 4/19/2011

www.tektone.com

Phone: (828) 524-9967
Toll-Free: (800) 327-8466
Tech Support: Option 2
Sales: Option 3

277 Industrial Park Road
Franklin, NC 28734
tektone@tektone.net
Fax: (828) 524-9968

Copyright © 2011 TekTone® Sound & Signal Mfg., Inc., All rights reserved.

No part of these publications may be copied without the express written permission of TekTone® Sound & Signal Mfg., Inc. The contents of these specification sheets are furnished for informational use only, are subject to change without notice, and should not be construed as a commitment by TekTone® Sound & Signal Mfg., Inc. TekTone® Sound & Signal Mfg., Inc. assumes no responsibility or liability for any errors or inaccuracies that may appear in this documentation.

TekTone, the TekTone logo, Tek-Call, Tek-Care, Tek-Check-In, Tek-Com, Tek-Digicare, Tek-Door, Tek-Entry III, Tek-Guard, Tek-Micro, Tek-Micro II, Tek-MMARS II, Tek-NIOS, Tek-NIOS II, Tek-Paging, Tek-Phone, Tek-Safe, Tek-Select II, Tek-Sentry, Tek-Sound, Tek-Status and Tek-View are either registered trademarks or trademarks of TekTone® Sound & Signal Mfg., Inc. in the United States and/or other countries. All other trademarks are the property of their respective owners.



NC150R Master Station Panel Specification Sheet

for Tek-SAFE™ Area of Rescue Assistance System

IL559
Section D
Rev. 9 - 08/2010



NC150R

ARCHITECTS' AND ENGINEERS' SPECIFICATION

Area of rescue assistance system shall be TekTone® NC150R Tek-SAFE™ or approved equal. It shall have push button controlled circuits and indicator lights for talk and call functions. The master station shall include controls, amplifier, selector modules, test button, panel and frame, and shall provide visual and audible indication when calls are placed. The system shall allow for connection of eight IR150SS series Remote Call Stations, and shall provide a two-way audio communication path to each call station (when properly selected).

FEATURES

The Tek-SAFE™ NC150R Area of Rescue Assistance System provides communication between areas of rescue assistance (in protected stairwells) and the building lobby. Calls are indicated at the NC150R master station by both visual and audible signals. The master station also has talk, call and selector buttons for two-way communication with up to eight IR150SS series remote call stations. (Larger masters are available.)

- Meets ADA requirements (check local codes for additional requirements)
- Audible and visual annunciation
- Voice communication and monitoring
- Push button operation
- Sensitive speaker/microphone
- Solid-state circuitry

SPECIFICATIONS

Dimensions:	Height:	13.25" (337 mm)
	Width:	6.25" (159 mm)
	Depth:	4.25" (108 mm)
Housing Cutout:	Height:	11.625" (295 mm)
	Width:	4.4375" (113 mm)
Construction:	Rugged extruded aluminum	
Connections:	Screw terminals	

REQUIRED COMPONENTS

NC150R	Master Station Panel
OH150	Flush Mount Housing
IR150SS series	Remote Call Stations
IH151NK	Junction box with:
	• PK151A Power & Control Unit
	• SS106 Transformer, 24 VAC

www.tektone.com

277 Industrial Park Road • Franklin, NC 28734 • tektone@tektone.net
Phone: (828) 524-9967 • Fax: (828) 524-9968 • Tech Support: Choose option 2 • Sales: Choose option 3
TekTone®'s quality system is registered by UL® to the ISO 9001 standard. (Reference #10001510.)



IR150SS, IR150SS/S Remote Call Stations Specification Sheet

IL765
Section D
Rev. 5 - 02/2010



IR150SS flush mount
(IR150SS/S surface mount also available)

ARCHITECTS' AND ENGINEERS' SPECIFICATION

The remote call station shall be TekTone®'s IR150SS, IR150SS/S, or approved equal. The remote call station shall provide a call-placement indicator, a 2.36" (60 mm) mushroom-style call push button, a cancel button and an audio-on indicator. The station shall also include a 3.5" Mylar® speaker/microphone with voice response. The remote call station electronics shall be mounted on a durable brushed stainless steel panel. Connections shall be made via screw terminals. The station shall be weather resistant.

FEATURES

Used with TekTone®'s Tek-SAFE™ NC150R Area of Rescue Assistance System, IR150SS and IR150SS/S Remote Call Stations provide efficient communication between areas of rescue assistance (in protected stairwells) and the building lobby.

IR150SS and IR150SS/S Remote Call Stations are located in areas of rescue assistance to provide two-way hands-free communication to a central location from which help may be summoned. Calls are placed by pressing a large, 2.36" (60 mm) mushroom-style momentary push button. Solid state indicators on the panel indicate when a call has been placed and when the intercom is in use.

- Push button calling via large mushroom-style button
- Call-placed indicator
- Audio-on indicator
- Cancel button
- Sensitive speaker/microphone
- Attractive and durable stainless steel panel
- Weather resistant when properly installed

SPECIFICATIONS

Dimensions:	Height:	5" (127 mm)
	Width:	11.1" (282 mm)
Projects:	Projects:	1.5" (38 mm) above mounting surface (IR150SS)
	Projects:	3.5" (89 mm) above mounting surface (IR150SS/S)
Construction:	Durable stainless steel panel	
Finish:	Brushed stainless	
Speaker:	3.5" Mylar®	
Button:	2.36" (60 mm) diameter	
Connections:	6-screw terminal block	
Housing:	TekTone® OH600 or equal for IR150SS; none required for IR150SS/S	

REQUIRED COMPONENTS

Tek-SAFE™ Area of Rescue Assistance System

www.tektone.com

277 Industrial Park Road • Franklin, NC 28734 • tektone@tektone.net
Phone: (828) 524-9967 • Fax: (828) 524-9968 • Tech Support: Choose option 2 • Sales: Choose option 3
TekTone®'s quality system is registered by UL® to the ISO 9001 standard. (Reference #10001510.)



SI002 Area of Rescue Assistance Sign Specification Sheet

IL759
Section D
Rev. 4-08/2010



SI002

FEATURES

The SI002 Area of Rescue Assistance Sign provides indication for area of rescue locations. It complies with ADA requirements and is intended to be used in conjunction with the TekTone® Tek-SAFE™ (NC150R) Area of Rescue Assistance System. These signs provide easy to understand indications of areas where people who require assistance in evacuating a building can go to await assistance.

- Meets ADA requirements (check local codes for additional requirements).
- 0.75" high letters and contrasting blue and white coloration for better visibility at distances.
- Includes "Area of Rescue Assistance" in Braille.

SPECIFICATIONS

Dimensions:	Height:	6"	(153 mm)
	Width:	12"	(305 mm)

REQUIRED COMPONENTS

Tek-SAFE™ Area of Rescue Assistance System

ARCHITECTS' AND ENGINEERS' SPECIFICATION

The area of rescue sign shall be TekTone® SI002 or approved equal. The sign shall be 6" high x 12" wide and shall include the International Access Symbol in white on a contrasting blue background. The sign shall also include the text "AREA OF RESCUE ASSISTANCE" in 0.75" high white letters on the blue background and in Braille.

The area of rescue sign shall comply with ADA requirements.

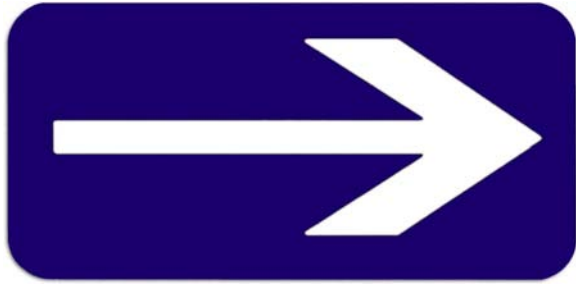
www.tektone.com

277 Industrial Park Road • Franklin, NC 28734 • tektone@tektone.net
Phone: (828) 524-9967 • Fax: (828) 524-9968 • Tech Support: Choose option 2 • Sales: Choose option 3
TekTone®'s quality system is registered by UL® to the ISO 9001 standard. (Reference #10001510.)



SI003 Directional Arrow Sign Specification Sheet

IL766
Section D
Rev. 3-08/2010



SI003

FEATURES

The SI003 Area of Rescue Assistance Directional Sign provides indication for area of rescue locations. It complies with ADA requirements and is intended to be used in conjunction with the TekTone® Tek-SAFE™ (NC150R) Area of Rescue Assistance System. These signs provide easy to understand directional information to areas where people who require assistance in evacuating a building can go to await assistance.

- Meets ADA requirements (check local codes for additional requirements)
- Directional arrow in white on a contrasting blue background

SPECIFICATIONS

Dimensions: Height: 3" (76 mm)
 Width: 6" (153 mm)

ARCHITECTS' AND ENGINEERS' SPECIFICATION

The area of rescue directional sign shall be TekTone® SI003 or approved equal. The sign shall be 3" high x 6" wide and shall include an ADA-approved directional arrow in white on a contrasting blue background. The area of rescue directional sign shall comply with ADA requirements.

REQUIRED COMPONENTS

Tek-SAFE™	Area of Rescue Assistance System
SI002	Area of Rescue Assistance Sign

www.tektone.com



SI004, SI004/2 Area of Rescue Assistance Illuminated Signs Specification Sheet

IL892
Section D
Rev. 2 - 06/2010



SI004, SI004/2



FEATURES

TekTone®'s SI004 and SI004/2 Area of Rescue Assistance Illuminated Signs provide indication for area of rescue locations. The signs comply with the Americans with Disabilities Act (ADA) requirements, and are intended to be used in conjunction with TekTone®'s Tek-SAFE™ Area of Rescue Assistance System. The signs provide visual directions to areas where people who require assistance in evacuating a building can go to await assistance. The SI004 has a single backlit sign; the SI004/2 has backlit signs on both the front and the back.

- Meet ADA requirements—check local codes for additional requirements.
- Text is white on a contrasting blue background, and illuminated by low power, long lasting red LEDs.
- Each directional arrow can be individually knocked out.
- Sign is equipped with two movable battery-powered emergency backup lights.
- Up to 90 minutes battery run-time.

ARCHITECTS' AND ENGINEERS' SPECIFICATION

The area of rescue assistance illuminated sign shall be TekTone® SI004, SI004/2, or approved equal. The sign shall be 11" high x 22" wide x 2.75" deep. It shall include one (SI004) or two (SI004/2) ADA-approved area of rescue assistance messages and logos in white on a contrasting blue background illuminated by red LEDs. The sign shall also be equipped with two emergency battery-powered backup lights. The area of rescue assistance illuminated sign shall comply with ADA requirements.

SPECIFICATIONS

Dimensions:	Height:	11"	(279.4 mm)
	Width:	22"	(558.8 mm)
	Depth:	2.75"	(69.9 mm)
Power:	Standard 120 VAC or 240 VAC input		

REQUIRED COMPONENTS

Tek-SAFE™ Area of Rescue Assistance System

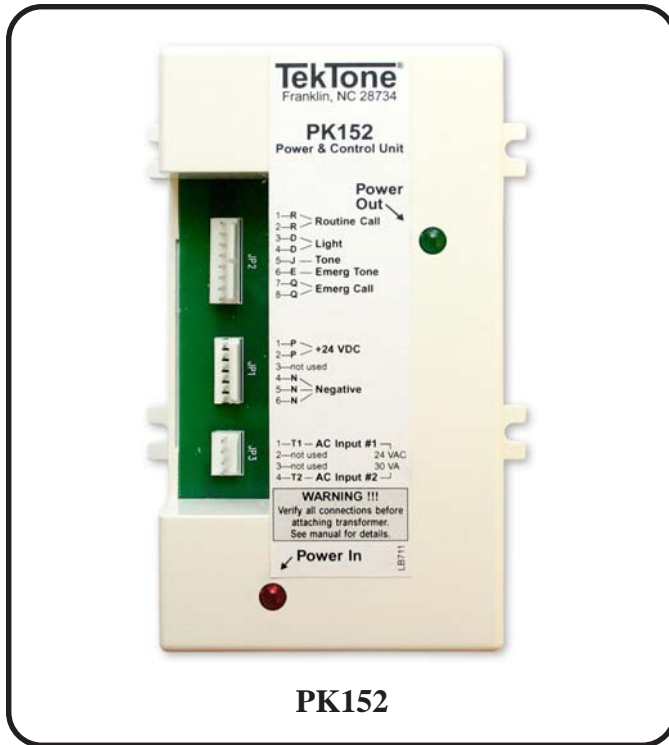
www.tektone.com

277 Industrial Park Road • Franklin, NC 28734 • tektone@tektone.net
Phone: (828) 524-9967 • Fax: (828) 524-9968 • Tech Support: Choose option 2 • Sales: Choose option 3
TekTone®'s quality system is registered by UL® to the ISO 9001 standard. (Reference #10001510.)



PK152 Annunciator Power & Control Unit Specification Sheet

IL367
Section E
Rev. 12 - 03/2011



PK152

ARCHITECTS' AND ENGINEERS' SPECIFICATION

The power and control unit shall be TekTone® PK152 or approved equal. The PK152 shall provide power and control circuits to operate audible and visual signals for emergency and normal calls of a complete nurse call or area of rescue assistance system. Normal calls must be indicated by a steady light and slowly repeating tone signal. The control unit shall automatically cancel the normal audible signal during intercom use. The unit shall contain all of the electronic circuitry needed for the features and functions mentioned above. The PK152 shall support up to 1 amp of current load from field devices. It shall also support interconnection of a secondary power supply to increase the output current load to 3 amps (use TekTone®'s PK800A Power Supply). Regular and emergency common lines shall be protected against shorted connections. It shall be mounted on a printed circuit board and housed in a rugged plastic case.

The PK152 shall be ETL Listed to the UL® 1069 Standard.

FEATURES

The PK152 Annunciator Control Unit provides power and control circuits to operate Tek-CARE®NC150, NC200 and NC110 nurse call systems or the Tek-SAFE™ area of rescue assistance system. The PK152 contains the electronic circuitry necessary to detect the presence of normal and emergency calls, and to generate audible and visual control signals. It provides steady or intermittent voltages to operate visual signaling devices. The PK152 supports up to 1 amp of current load from field devices, and supports interconnection of a secondary power supply (PK800A) to increase the output current load to 3 amps. Protective circuitry has been incorporated to protect routine and emergency call commons from shorts.

- Red LED for power in; Green LED for power out.
- UL® 1069 Listed.
- High-quality electronic components.
- Provides steady light and slow tone for normal call; flashing light and rapid tone for emergency call.
- Routine and emergency commons incorporate short-protection circuitry.

SPECIFICATIONS

Dimensions: Height: 5.5" (140 mm)
Width: 3.125" (79 mm)
Depth: 1.875" (48 mm)

Construction: Electronic components mounted on a printed circuit board and housed in a rugged plastic case.

Connections: Pigtails.

Temperature: 0°C–50°C.

Mounting: Surface-mounted (within 50' of master station).

Power: 24 VAC, 30VA.

Specifications are the minimum requirement for system operation. Some systems may require additional equipment. Contact your factory representative.

REQUIRED COMPONENTS

Tek-CARE®NC110, NC150 or NC200 Nurse Call System
-or- Tek-SAFE™ Area of Rescue Assistance System

— for higher current applications add —

PK800A 24 VDC Power supply

FZ151 In-line 4A fuse connector

SS100 24 VAC, 100VA Transformer

www.tektone.com

277 Industrial Park Road • Franklin, NC 28734 • tektone@tektone.net

Phone: (828) 524-9967 • Fax: (828) 524-9968 • Tech Support: Choose option 2 • Sales: Choose option 3

TekTone®'s quality system is registered by UL® to the ISO 9001 standard. (Reference #10001510.)



SS102A, SS105B, SS106 Transformers PO001 Electric Door Opener Specification Sheet

IL127
Section A
Rev. 12 - 03/2010

PO001 ELECTRIC DOOR OPENER

TekTone®'s PO001 Electric Door Opener is for use in unlocking and locking doors from a variety of TekTone® remote stations. The door opener can be installed in place of the door lock, or on a door jamb with various door lock sets. The PO001 is a normally locked type with heavy duty coils, and operates on 8-16 VAC or 3-6 VDC. The unit features a flat face with satin zinc finish and solid brass locking latch for long wear. Model PO001 is reversible for mortise-type locks and latches up to 1/2" width and throw, and is ideal for most narrow jamb mortise-type installations. Depending on the specific job requirements, the PO001 can be reversed for right or left-hand door installation.



DIMENSIONS

Faceplate: 1.25" × 5.875" (31.8 mm × 149 mm)
Case width: 0.9375" (24 mm)
Case depth: 1.4375" (37mm)
Latch opening: 1.375" (35 mm)

SS102A, SS106 TRANSFORMERS

TekTone®'s SS102A and SS106 Class 2 Transformers offer compact, easy-to-install low voltage AC power sources for use with various TekTone® intercom systems. Both transformers are UL® Listed and will safely take themselves offline when overheated. The transformers are constructed for easy installation in a standard 1/2" knockout or for surface installations, and may be used in plastic or metal boxes. Primary wire connections are made using the pre-stripped pigtails and ground wire; secondary connections are made using screw terminals.



SPECIFICATIONS

SS102A 120 VAC primary, 16 VAC 10 VA secondary
SS106 120 VAC primary, 8 VAC 20 VA
16/24 VAC 30 VA secondary

SS105B TRANSFORMER

TekTone®'s SS105B Class 2 Plug-In Transformer was designed for quick and easy installation in environments where pigtail-type transformers are impractical or unsightly. It is particularly suitable for use in office or home installations, or in areas where the transformer must be exposed. The plug-in installation saves time and money over standard transformer installation requiring hand wiring and long runs from hard-to-get-at areas. TekTone®'s unit installs quickly and easily to existing outlets and includes an extra long replacement screw for secure attachment to a faceplate.



SPECIFICATIONS

117-16 VAC 10 VA Plug-in type, UL® Listed

www.tektone.com

277 Industrial Park Road • Franklin, NC 28734 • tektone@tektone.net
Phone: (828) 524-9967 • Fax: (828) 524-9968 • Tech Support: Choose option 2 • Sales: Choose option 3
TekTone®'s quality system is registered by UL® to the ISO 9001 standard. (Reference #10001510.)



IH151N Housing Specification Sheet

IL646
Section E
Rev. 5 - 08/2010



IH151N Housing

FEATURES

The IH151N Housing is used as a central junction point for wiring in the CM800 and Tek-CARE® NC110, NC150, NC200 systems.

Knockouts are included on all sides except lid to allow the connection of electrical conduit from any direction. In addition, the lid has a knockout which can be used to install an optional key lock—the TekTone® HW231 or equivalent. A single-gang electrical junction box is mounted inside the main enclosure to allow protected electrical connections to be made. The enclosed electrical junction box is galvanized steel with a stainless steel cover plate.

- Maintenance free
- Easy Installation
- 19-gauge steel construction
- Knockouts provided
- UL® 1069 Listed when constructed with PK151A Annunciator Power & Control Unit and SS106 Transformer

ARCHITECTS' AND ENGINEERS' SPECIFICATION

Housing shall be TekTone® IH151N housing or approved equal. The IH151N housing shall be of steel construction for durability. It shall include a single-gang metal junction box to protect electrical connections.

Knockouts shall be provided on all sides except lid to facilitate easy connection of electrical conduit. The lid shall have a knockout for an optional key lock—TekTone® HW231 or equivalent.

All exposed surfaces shall be either stainless steel or painted to protect against oxidation. The outer enclosure shall be composed of 19-gauge cold-rolled steel.

SPECIFICATIONS

Dimensions:	Height:	11.75" (300 mm)
	Width:	11.75" (300 mm)
	Depth:	3.75" (96 mm)
Construction:	19 gauge, cold-rolled steel	

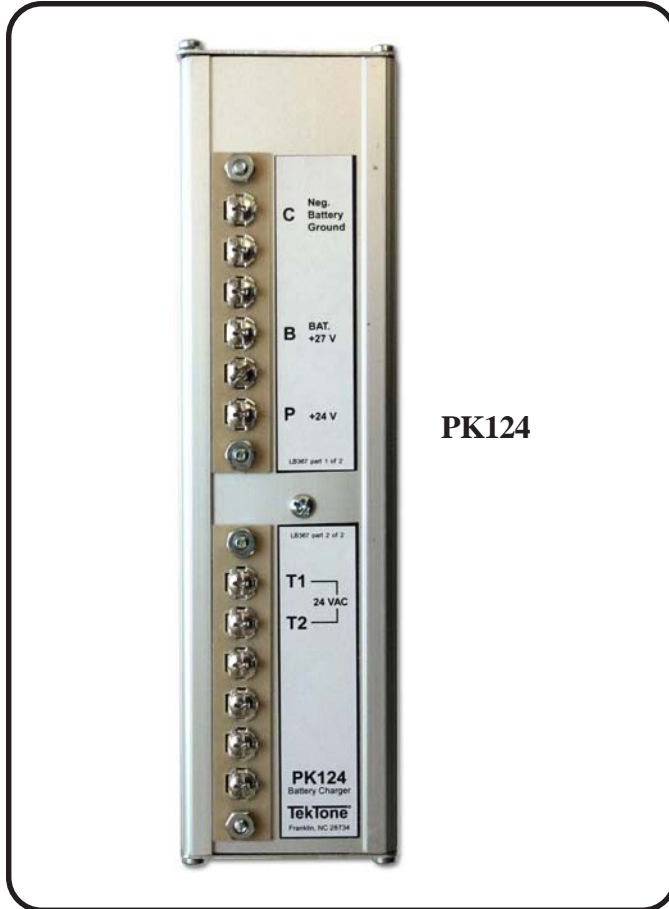
www.tektone.com

277 Industrial Park Road • Franklin, NC 28734 • tektone@tektone.net
Phone: (828) 524-9967 • Fax: (828) 524-9968 • Tech Support: Choose option 2 • Sales: Choose option 3
TekTone®'s quality system is registered by UL® to the ISO 9001 standard. (Reference #10001510.)



PK124 Battery Charger Specification Sheet

IL818
Section E
Rev. 4 - 04/2011



PK124

FEATURES

The PK124 Battery Charger, when used in conjunction with two BA001—12 VDC batteries, provides continuous battery charging so that if power to system equipment is interrupted, standby operating power is provided for up to approximately 6 hours. (Time may vary depending on system size and usage.)

TekTone® systems supported by the PK124 include the DS100 Door Sentry & Emergency Alarm System and the CM800 Emergency Call System.

- Low voltage operation
- Reliable alternate power supply
- Integrated circuit design
- Easy installation

SPECIFICATIONS

Dimensions: Height: 9.5" (240 mm)
 Width: 2.375" (60 mm)
 Depth: 2.25" (57 mm)

Construction: Rugged extruded aluminum case housing, quality electronic components mounted on PCB

Power: 24 VAC, 30 VA provided by SS106 transformer

Connection: Screw terminals

Mounting: Surface

ARCHITECTS' AND ENGINEERS' SPECIFICATION

The battery charger shall be TekTone® PK124 or approved equivalent, and shall be used in conjunction with two TekTone® BA001—12 VDC batteries, or approved equivalent. The PK124 shall provide continuous battery charging for approximately 6 hours for uninterrupted equipment operation during power failures.

Screw terminals shall be provided for connections. The PK124 Battery Charger shall be of rugged construction and modular integrated circuit design.

REQUIRED COMPONENTS

CM800	Emergency Call System
<i>or</i>	
DS100	Door Sentry & Emergency Alarm System

www.tektone.com

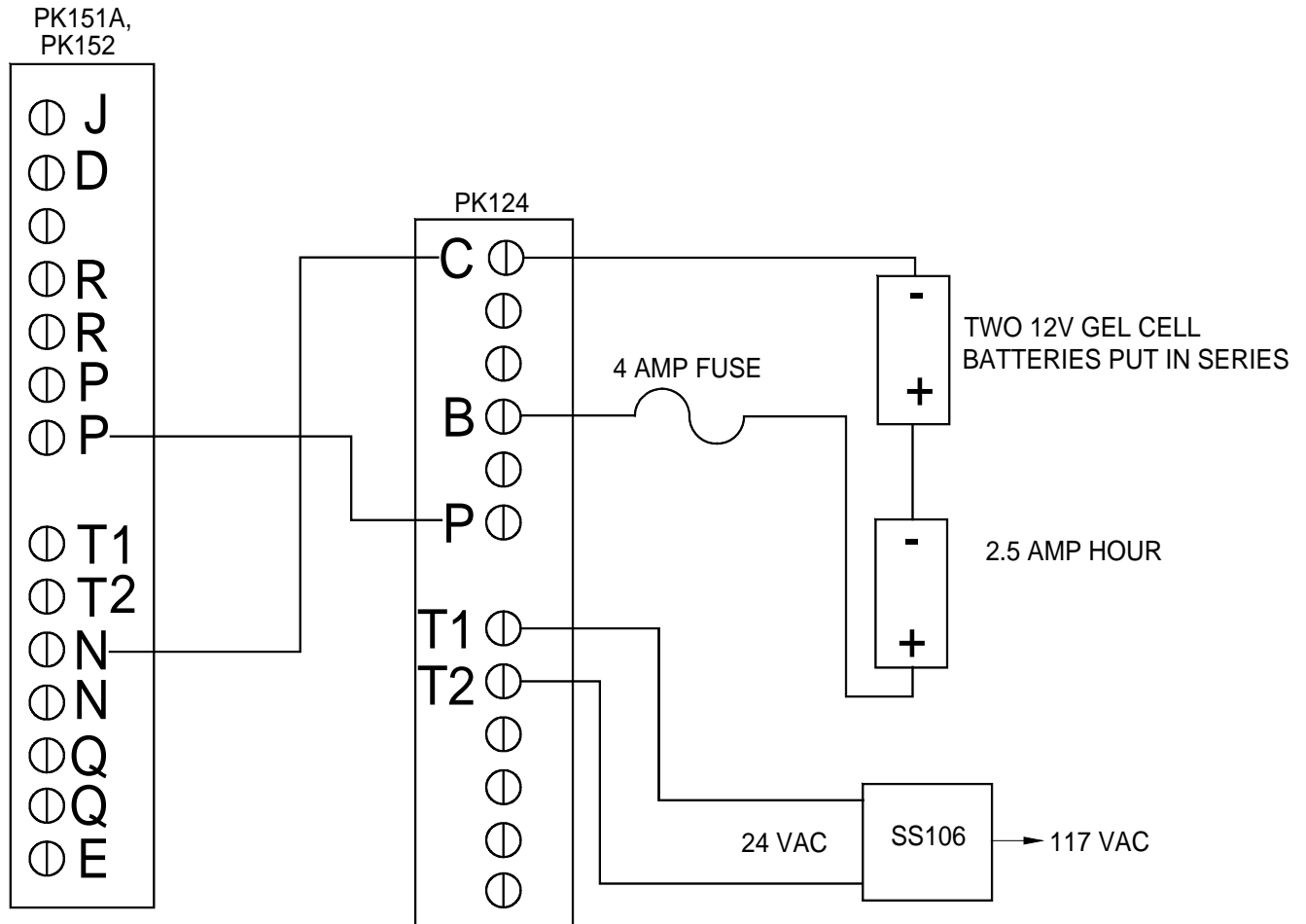
277 Industrial Park Road • Franklin, NC 28734 • tektone@tektone.net
 Phone: (828) 524-9967 • Fax: (828) 524-9968 • Tech Support: Choose option 2 • Sales: Choose option 3
 TekTone®'s quality system is registered by UL® to the ISO 9001 standard. (Reference #10001510.)



Wiring Diagrams for PK124 Battery Charger

IL426
Section E
Rev. 10-03/2011

PK124 to PK151A or PK152 (NC110N, NC150N, NC200N) Interconnect Wiring Diagram



Copyright © Taktone Sound & Signal Mfg., Inc. All Rights Reserved.

IL426 PK124 to PK151A PK152 Interconnect Wiring Diagram Rev1 031811 1

Notes:

1. Do not connect transformer to PK151A or PK152.
2. Use 24 VAC connections on SS106 transformer.
3. All wiring #18 unless shown.
4. See installation manual for additional PK151A or PK152 connections.

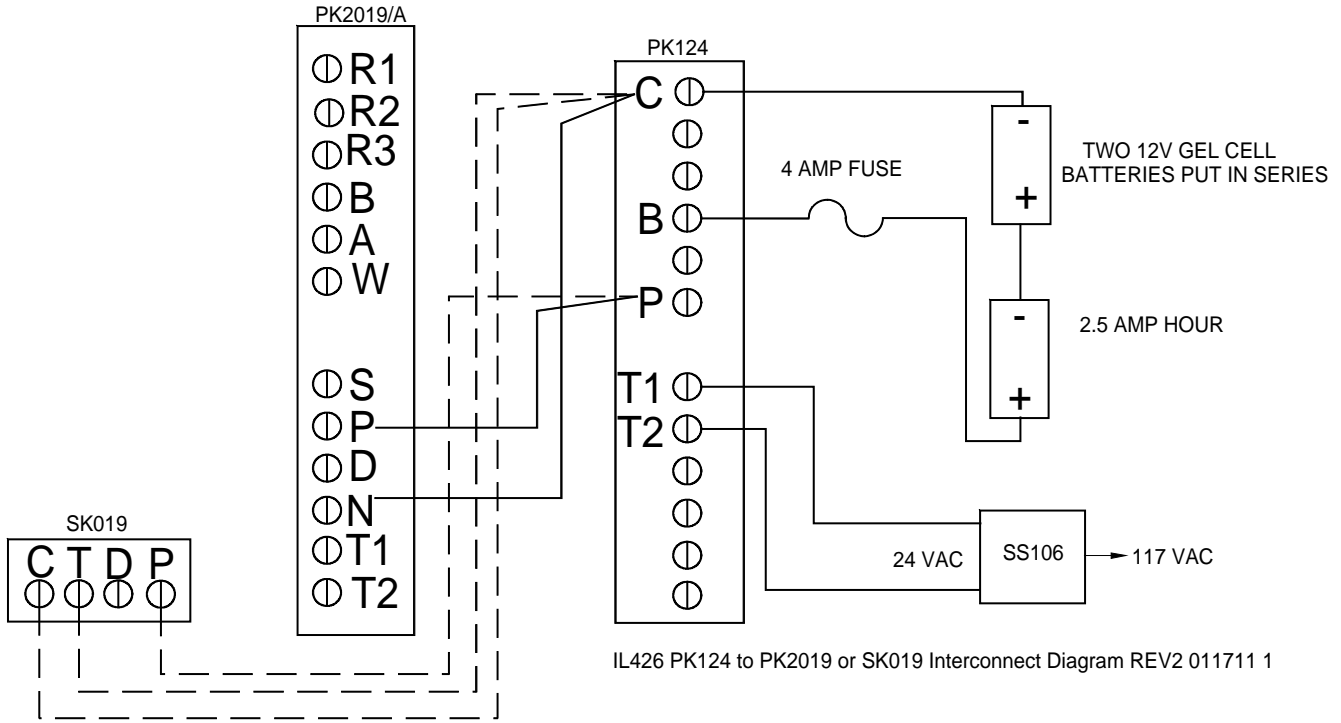
www.tektone.com

277 Industrial Park Road • Franklin, NC 28734 • tektone@tektone.net

Phone: (828) 524-9967 • Fax: (828) 524-9968 • Tech Support: Choose option 2 • Sales: Choose option 3

TekTone®'s quality system is registered by UL® to the ISO 9001 standard. (Reference #10001510.)

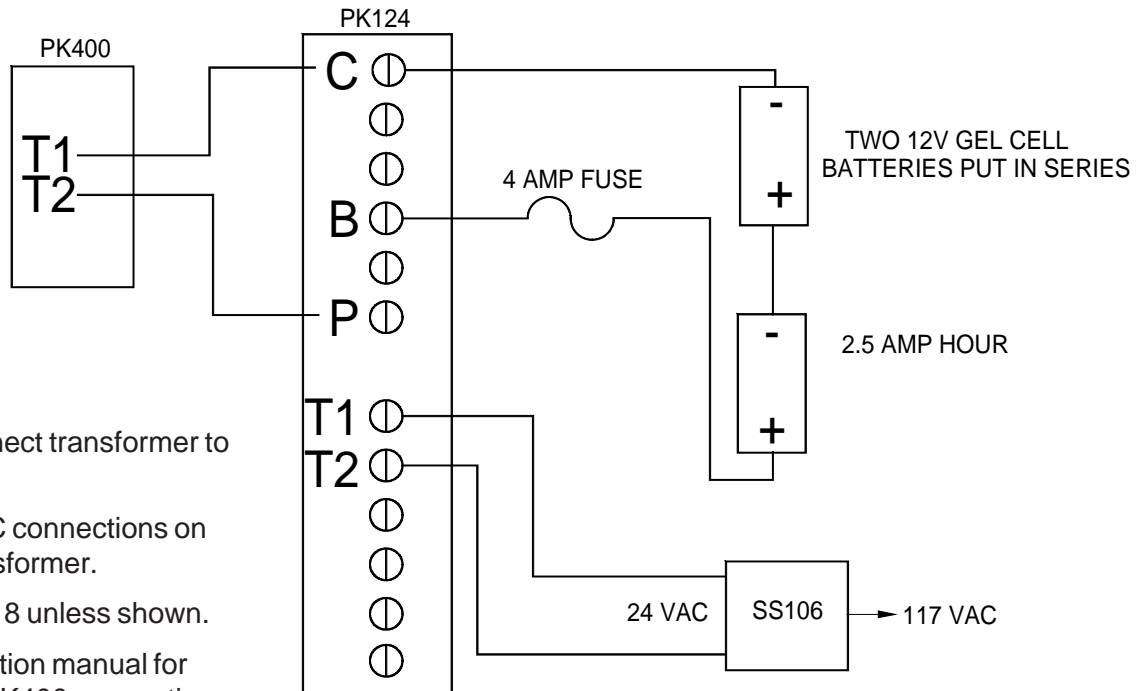
PK124 to PK2019/A (CM800, CM900) or SK109 (DS100) Interconnect Wiring Diagram



Notes:

1. Do not connect transformer to PK2019/A or SK019.
2. Use 24 VAC connections on SS106 transformer.
3. All wiring #18 unless shown.
4. See installation manual for additional PK2019/A or SK019 connections.

PK124 to PK400 Interconnect Wiring Diagram



Notes:

1. Do not connect transformer to PK400.
2. Use 24 VAC connections on SS106 transformer.
3. All wiring #18 unless shown.
4. See installation manual for additional PK400 connections.