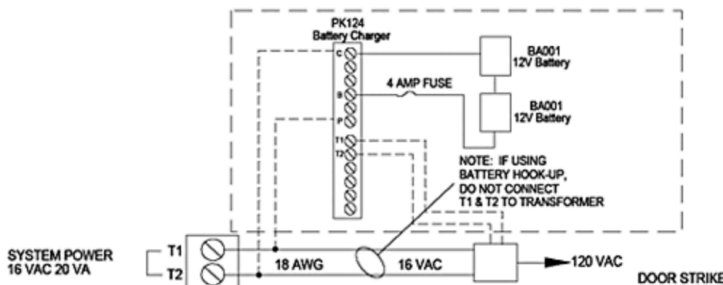
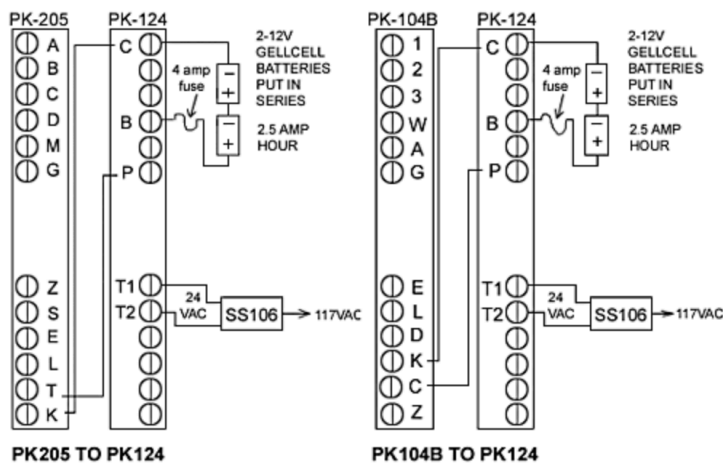


Tek-ENTRY TekTip: PK124 Battery Charger wiring tip

TekTone's PK124 Battery Charger, when used in conjunction with (2) BA001 12 VDC batteries, provides for continuous battery charging so that if power to the system is interrupted, standby power is provided for up to approximately 6 hours. Our technical support staff has been receiving a number of calls requesting wiring information for the PK124 in use with PK205 and PK543 Power Pack Amplifiers for apartment intercom systems.

The wiring is to be arranged as follows, #18 wire is to be used unless otherwise noted, and the door strike output will be 24VDC.



PK124 TE Diagram (partial drawing, refer to IL573 for full drawing)

(Jan. 1991)