



*Communications
for today... and tomorrow*

CM800 Emergency Call System

Specification Sheets Submittal Package

as of 4/19/2011

www.tektone.com

Phone: (828) 524-9967
Toll-Free: (800) 327-8466
Tech Support: Option 2
Sales: Option 3

277 Industrial Park Road
Franklin, NC 28734
tektone@tektone.net
Fax: (828) 524-9968

Copyright © 2011 TekTone® Sound & Signal Mfg., Inc., All rights reserved.

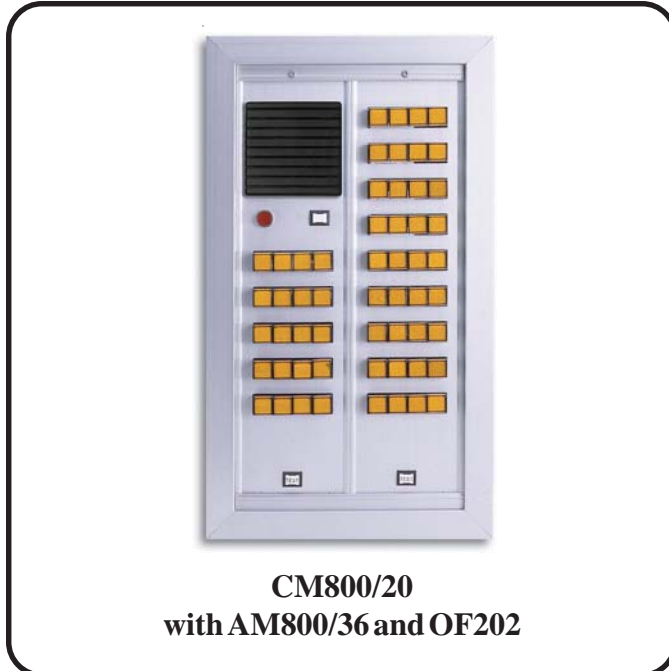
No part of these publications may be copied without the express written permission of TekTone® Sound & Signal Mfg., Inc. The contents of these specification sheets are furnished for informational use only, are subject to change without notice, and should not be construed as a commitment by TekTone® Sound & Signal Mfg., Inc. TekTone® Sound & Signal Mfg., Inc. assumes no responsibility or liability for any errors or inaccuracies that may appear in this documentation.

TekTone, the TekTone logo, Tek-Call, Tek-Care, Tek-Check-In, Tek-Com, Tek-Digicare, Tek-Door, Tek-Entry III, Tek-Guard, Tek-Micro, Tek-Micro II, Tek-MMARS II, Tek-NIOS, Tek-NIOS II, Tek-Paging, Tek-Phone, Tek-Safe, Tek-Select II, Tek-Sentry, Tek-Sound, Tek-Status and Tek-View are either registered trademarks or trademarks of TekTone® Sound & Signal Mfg., Inc. in the United States and/or other countries. All other trademarks are the property of their respective owners.



CM800 Series Annunciator Specification Sheet

IL180
Section D
Rev. 14-03/2010



FEATURES

The CM800 Series Annunciators are modular panels, permitting use in systems requiring from 16 to 344 annunciator lamps. The CM800 is suitable for use in emergency call, security alarm, services monitoring, and similar applications where visual and audible annunciation is required. (If audible indication is not needed, specify when ordering.) Identification markings are easily applied by dry transfer letter method or label maker.

- Modular design
- Protected markings
- Multiple use
- Up to 4 digits per lamp
- Vertical or horizontal mounting

SPECIFICATIONS

Power Required: 16 to 24 VAC or VDC
 Connections: Screw terminals
 Housings: Flush mounting, OH200
 Surface mounting, OH300
 Lamps available only in multiples of four.

REQUIRED COMPONENTS

CM800 series	Tone Speaker Panel
AM800 series	Light Add-On Panel
PK2019	Annunciator Control Unit
SS Series	Transformer

ARCHITECTS' AND ENGINEERS' SPECIFICATION

The annunciator panel shall be TekTone® CM800 Series or approved equal. It shall be of extruded aluminum construction and contain a tone speaker panel with tone-off indicator light and button. The CM800 shall have a removable lens for lamp replacement access and to protect lamp identification markings. Screw terminals shall be provided for lamp wiring hookup.

Housing and Frame Chart for CM800

Number of Lamps	Flush	Width Cut-Out	Surface	Width Overall	Frame	Width Overall	Desk	Width
4 - 20	OH201	4-1/2"	OH301	6-1/8"	OF201	6-1/4"	IH302	9-1/2"
24 - 56	OH202	8-1/2"	OH302	10-1/8"	OF202	10-1/4"	IH302	9-1/2"
60 - 92	OH203	12-1/2"	OH303	14-1/8"	OF203	14-1/4"	IH303	13-1/2"
96 - 128	OH204	16-1/2"	OH304	18-1/8"	OF204	18-1/4"	IH304	17-1/2"
132 - 164	OH205	20-1/2"	OH305	22-1/8"	OF205	22-1/4"	IH305	21-1/2"
168 - 200	OH206	24-1/2"	OH306	26-1/8"	OF206	26-1/4"	IH306	25-1/2"

IH300 Series desk cabinets height: 6" depth: 17"
 OH200 Series wall cut-out height: 16-1/4" depth: 3-7/8"
 OH300 Series overall height: 17-3/4" depth: 3-5/8"
 OF200 Series overall height: 17-3/4" depth: 2-1/2"

www.tektone.com

277 Industrial Park Road • Franklin, NC 28734 • tektone@tektone.net
 Phone: (828) 524-9967 • Fax: (828) 524-9968 • Tech Support: Choose option 2 • Sales: Choose option 3
 TekTone®'s quality system is registered by UL® to the ISO 9001 standard. (Reference #10001510.)



BE005, BE007 Bells Specification Sheet

IL339
Section D
Rev. 14-02/2011



FEATURES

BE005 and BE007 Bells are for use in general alarm applications and are UL® Listed.

The bells produce a long, continuous ringing sound and feature low power drain and shockproof construction. Each model is supplied complete with plate and is ideally suited for general alarm applications of medium ambient level.

SPECIFICATIONS

Bell Size:	6"
Diameter:	6"
Depth:	2.875"
Amps:	BE005 - .35 BE007 - .062
VA:	BE005 - 8.4 BE007 - 1.5
dB at 10':	92

These bells are to be used as part of TekTone®'s CM800 Emergency Call System.

REQUIRED COMPONENTS

CM800	Emergency Call System
SF117/SF118	Emergency Call Stations
PK2019A	Power & Control Unit
SS106	Transformer

ARCHITECTS' AND ENGINEERS' SPECIFICATION

TekTone®'s BE005 and BE007 Bells shall be made of a rugged die-cast housing and shall include a self-compensating solenoid plunger which needs no adjustment.

The BE005 will operate on 24 VAC, BE007 on 24 VDC, and both shall mount on a standard 4" square electric box.

All necessary installation hardware shall be provided, including a 6" bell.

The BE005 and BE007 shall be UL® Listed.

www.tektone.com

277 Industrial Park Road • Franklin, NC 28734 • tektone@tektone.net
Phone: (828) 524-9967 • Fax: (828) 524-9968 • Tech Support: Choose option 2 • Sales: Choose option 3
TekTone®'s quality system is registered by UL® to the ISO 9001 standard. (Reference #10001510.)



IR019B Remote Tone Speaker Specification Sheet

IL456
Section E
Rev. 13 - 08/2010



IR019B

FEATURES

The IR019B Remote Tone Speaker provides for remote tone annunciation when connected directly in parallel with a TekTone® CM800 Series Annunciator Panel and PK2019 Control Unit. The tone speaker features a momentary contact tone-off button for tone silencing. Depressing the tone-off button silences the tone at all IR019B locations. The tone-off light remains illuminated while tone-silencing is enabled. When the emergency initiating device has been reset, the tone-off will automatically reset.

- Automatic tone-off reset
- Reliable and rugged design

SPECIFICATIONS

Dimensions: Height: 4.5" (115 mm)
 Width: 4.5" (115 mm)

Finish: Satin brushed stainless steel

Controls: Individual replaceable push buttons
 with self-wiping contacts

Indicators: 28 volt red light

Speaker/Mic: 45-ohms, 2.5"

Connections: Pigtails

Housing: Standard 2-gang electrical box

ARCHITECTS' AND ENGINEERS' SPECIFICATION

Remote tone speaker shall be TekTone® IR019B or approved equal.

Model IR019B shall include a momentary action tone-off button and 2.5" speaker/microphone mounted on a rugged stainless steel panel. Model IR019B shall also include a tone-off light. Remote tone speakers shall provide remote tone annunciation when used in conjunction with TekTone® CM800 Series Annunciator and PK2019 Control Unit.

REQUIRED COMPONENTS

CM800	Annunciator Panel
PK2019	Control Unit
SS106	Transformer

www.tektone.com

277 Industrial Park Road • Franklin, NC 28734 • tektone@tektone.net
Phone: (828) 524-9967 • Fax: (828) 524-9968 • Tech Support: Choose option 2 • Sales: Choose option 3
TekTone®'s quality system is registered by UL® to the ISO 9001 standard. (Reference #10001510.)



LI118B, LI123B Dome Light Specification Sheet

IL349
Section D
Rev. 12-08/2010



LI118B, LI123B

ARCHITECTS' AND ENGINEERS' SPECIFICATION

The corridor lights shall be TekTone® LI118B, LI123B or approved equal. Each unit shall include a translucent plastic cover and buzzer mounted on a flame retardant (UL®94V-0) plastic panel. The cover shall be removable for bulb replacement without the use of mounting screws. Buzzers shall be 24 VDC for model LI118B and 24 VAC for model LI123B.

FEATURES

The LI118B and LI123B Corridor Lights provide both visual and audible indication of any type of call. Models may be used with an emergency call system or in any application where this type of call indication is needed.

The standard mounting plate accommodates both models and features an easily removable white translucent cover for bulb replacement.

- Excellent visibility
- Audible call indication
- Easy bulb replacement
- Durable construction

SPECIFICATIONS

Dimensions:	Height:	5"	(127mm)
	Width:	6.75"	(171mm)
	Depth:	4.5"	(117mm)
Bulb:	Type 1829, 28V, min. BAY		
AC Buzzer:	Type 123A-G5, 24 VAC, 160mA		
DC Buzzer:	Type 118-G1, 24 VDC, 40mA		
Power:	LI118B:	24 VDC, 80mA	
	LI123B:	24 VAC, 200mA	
Finish:	Translucent white plastic cover mounted on a flame retardant, (UL®94V-0) plastic panel.		
Mounting:	Fits standard dual gang box and ring. Minimum depth of box must be no less than 1.75".		

REQUIRED COMPONENTS

CM800	Emergency Call System
-------	-----------------------

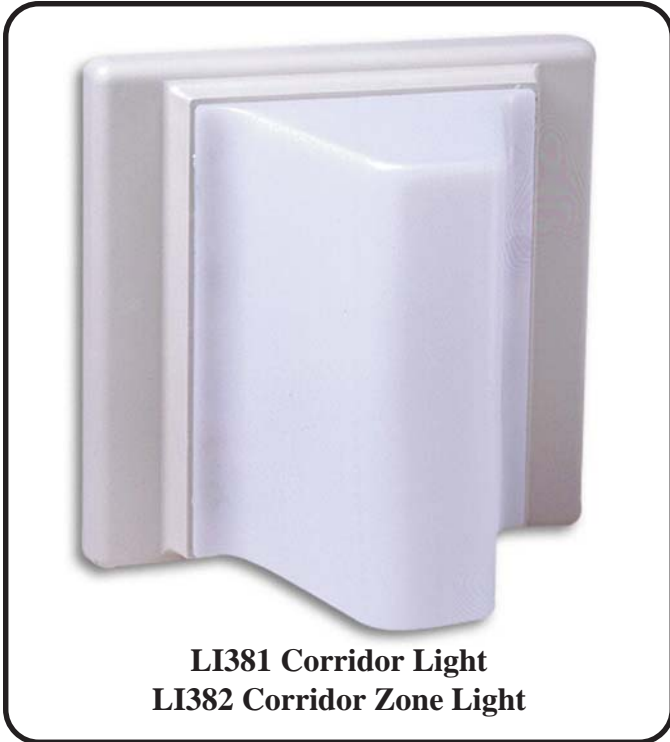
www.tektone.com

277 Industrial Park Road • Franklin, NC 28734 • tektone@tektone.net
Phone: (828) 524-9967 • Fax: (828) 524-9968 • Tech Support: Choose option 2 • Sales: Choose option 3
TekTone®'s quality system is registered by UL® to the ISO 9001 standard. (Reference #10001510.)



LI381 Corridor Light LI382 Corridor Zone Light Specification Sheet

IL518
Section E
Rev. 17 - 08/2010



**LI381 Corridor Light
LI382 Corridor Zone Light**

ARCHITECTS' AND ENGINEERS' SPECIFICATION

Corridor lights shall be TekTone® LI381 Corridor Light and LI382 Corridor Zone Light, or approved equal. Lights shall include a white flame-retardant translucent polystyrene plastic lens mounted on a flame-retardant (UL® 94V-0) plastic panel. The lens shall be removable without the use of tools for ease of bulb replacement. The LI382 shall provide for two bulbs, one white bulb and one red covered bulb, to differentiate between normal and emergency calls

The LI381 and LI382 shall be UL® 1069 Listed.

FEATURES

The LI381 Corridor Light and LI382 Corridor Zone Light provide visual indication of calls when used with a nurse call system, emergency call system, or similar application. Emergency calls are indicated by the rapid flashing of the LI381 Corridor Light associated with the calling station. Normal calls produce a steady illumination.

The LI382 Corridor Zone Light indicates an emergency call by the rapid flashing of the red-covered bulb associated with the zone or area from which an emergency call has been placed. Normal calls are indicated by a steady illumination of the white bulb. If an emergency and normal call are placed in the same zone at the same time, the red covered bulb connected to the emergency station will flash rapidly, while the white bulb associated with the normal call will maintain a steady illumination.

The standard mounting plate accommodates both models and features an easily removable white flame-retardant translucent polystyrene plastic lens for bulb replacement.

- UL® 1069 Listed
- Snap-in lens
- Easy bulb replacement
- Attractive flame-retardant HIPS30 plastic panel
- Excellent visibility

SPECIFICATIONS

Dimensions:	Height:	4.5625" (115 mm)
	Width:	4.5625" (115 mm)
	Depth:	3.3" (84 mm)
Bulbs:	#1829 28V 70 mA	
Power:	LI381:	24 VDC, 51mA
	LI382:	24 VDC, 102mA
Finish:	White flame-retardant translucent polystyrene plastic lens mounted on a flame-retardant (UL® 94V-0) plastic panel.	
Housing:	Fits either standard dual gang box and ring or single gang box and ring.	

REQUIRED COMPONENTS

Tek-CARE® NC110,
NC150, NC200 or NC300II Nurse Call Systems
CM800 Emergency Call System

www.tektone.com

277 Industrial Park Road • Franklin, NC 28734 • tektone@tektone.net
Phone: (828) 524-9967 • Fax: (828) 524-9968 • Tech Support: Choose option 2 • Sales: Choose option 3
TekTone®'s quality system is registered by UL® to the ISO 9001 standard. (Reference #10001510.)



SF117/2C, SF117/4C Emergency Switch Specification Sheet

IL178
Section D
Rev. 13-03/2010



**SF117/2C,
SF117/4C**

ARCHITECTS' AND ENGINEERS' SPECIFICATION

The emergency call switch shall be TekTone®'s SF117/2C, SF117/4C or approved equal with pull-cord operated switch, mounted on an attractive flame-retardant (UL® 94V-0) plastic panel and marked **EMERGENCY**. Canceling the call shall be possible only at the point of origin.

FEATURES

The SF117-series Emergency Call Switch is available in two models and features a rugged, long-life, positive-acting switch mounted on a durable flame-retardant (UL® 94V-0) plastic panel. Signaling an emergency requires just a short pull in any direction on the 6' long nylon cord. The signal cannot be canceled except at the point of origin. The SF117/2C provides two circuits to operate a separate visual and audible signal. The SF117/4C provides two additional circuits that may be used to operate additional signaling devices as needed.

- Single-gang mounting
- 2 or 4 pole switches
- Attractive, flame-retardant (UL® 94V-0) plastic panel
- Highly visible emergency labeling
- May use with a central annunciator, or for local alarm functions

SPECIFICATIONS

Dimensions:	Height:	4.5"	(114mm)
	Width:	2.75"	(70mm)
	Depth:	1.5"	(38mm)
Panel:	Flame-retardant (UL® 94V-0) plastic		
Switch:	SF117/2C—2PDT SF117/4C—4PDT		
Connection:	Wire leads		
Mounting:	Standard single-gang electrical box		
Marking:	Pad-printed EMERGENCY		

REQUIRED COMPONENTS

Standalone:

SS106	Transformer
LI381 or LI123B	Corridor Dome Light

System:

CM800	Emergency Call System
-------	-----------------------

www.tektone.com

277 Industrial Park Road • Franklin, NC 28734 • tektone@tektone.net
Phone: (828) 524-9967 • Fax: (828) 524-9968 • Tech Support: Choose option 2 • Sales: Choose option 3
TekTone®'s quality system is registered by UL® to the ISO 9001 standard. (Reference #10001510.)



SF154B Emergency Call Switch Specification Sheet

IL647
Section D
Rev. 5 - 09/2010



SF154B

ARCHITECTS' AND ENGINEERS' SPECIFICATION

The SF154B shall use a push button switch with DPDT (double-pole double-throw) contacts. The switch shall provide for positive visual indication of activation. Wiring pigtails shall be provided for connection to both normally open contacts. The switch shall be mounted on an attractive, flame retardant (UL® 94V-0) plastic panel which is designed to fit onto a single-gang electrical box.

FEATURES

The SF154B Emergency Call Switch features a push button switch with DPDT (double-pole double-throw) contacts which are available via wire pigtail. The switch comes pre-wired with both normally open terminals available individually. The switch has a mechanical eye arrangement inside, which provides for positive indication of activation without the need for external power. The switch features push-on push-off operation. The SF154B is designed as a single-gang (UL® 94V-0) plastic panel that fits a standard single-gang electrical box.

- Simple operation and installation
- Attractive, flame retardant (UL® 94V-0) plastic panel
- Fits standard single-gang electrical box
- Visual indication of activation

SPECIFICATIONS

Dimensions: Height: 4.5" (115 mm)
 Width: 2.8125" (72 mm)
 Depth: 1.5" (39 mm)
 Projects: 0.8125" (21 mm)
 (From mounting surface)

Construction: Flame retardant (UL® 94V-0) plastic
Housing: Single-gang ring or box.

REQUIRED COMPONENTS

LI381	Corridor Light
SS106	Transformer

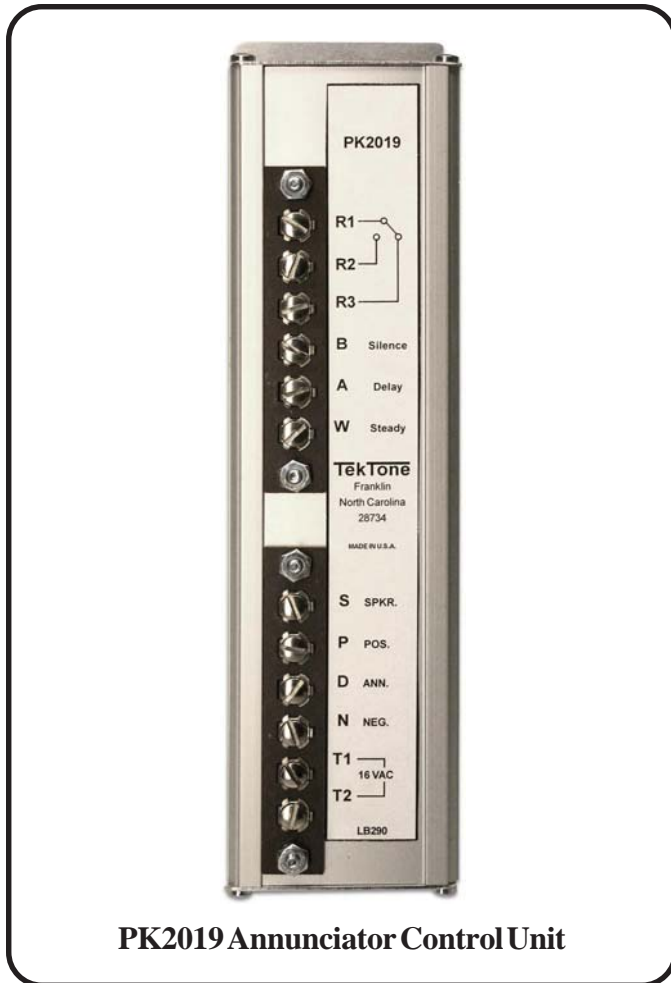
www.tektone.com

277 Industrial Park Road • Franklin, NC 28734 • tektone@tektone.net
Phone: (828) 524-9967 • Fax: (828) 524-9968 • Tech Support: Choose option 2 • Sales: Choose option 3
TekTone®'s quality system is registered by UL® to the ISO 9001 standard. (Reference #10001510.)



PK2019 Annunciator Control Unit Specification Sheet

IL310
Section D
Rev. 13 -08/2010



PK2019 Annunciator Control Unit

FEATURES

The TekTone® PK2019 Annunciator Control Unit is a general purpose annunciator control unit that is used with the CM800 Emergency Call System and the DS100 Door Sentry System. The PK2019 provides tone signal, tone silencing, tone-silenced indication, auxiliary signal relay, and 24 VDC for accessory device operation.

SPECIFICATIONS

Dimensions: Height: 9.5" (242mm)
 Width: 2.375" (61mm)
 Depth: 2.25" (58mm)

Power Required: 16 VAC 30 VA max.
 Output Current: 1 Amp. maximum
 Tone Speaker: 45 ohms (up to 3 in parallel)
 Tone-Off Lamp: .04 Amp. (up to 3 in parallel)
 Connections: Screw terminals

REQUIRED COMPONENTS

SS106	Transformer
CM800 Series	Annunciator Panel
-or-	
DS100 Series	Speaker Panel

ARCHITECTS' AND ENGINEERS' SPECIFICATION

The annunciator control unit shall be TekTone® PK2019 or approved equivalent. It shall be used with the CM800 Emergency Call System and the DS100 Door Sentry System. The PK2019 shall be capable of generating either a steady or intermittent alarm tone.

Screw terminals shall be provided for connections. The control unit shall be of rugged construction and modular integrated circuit design.

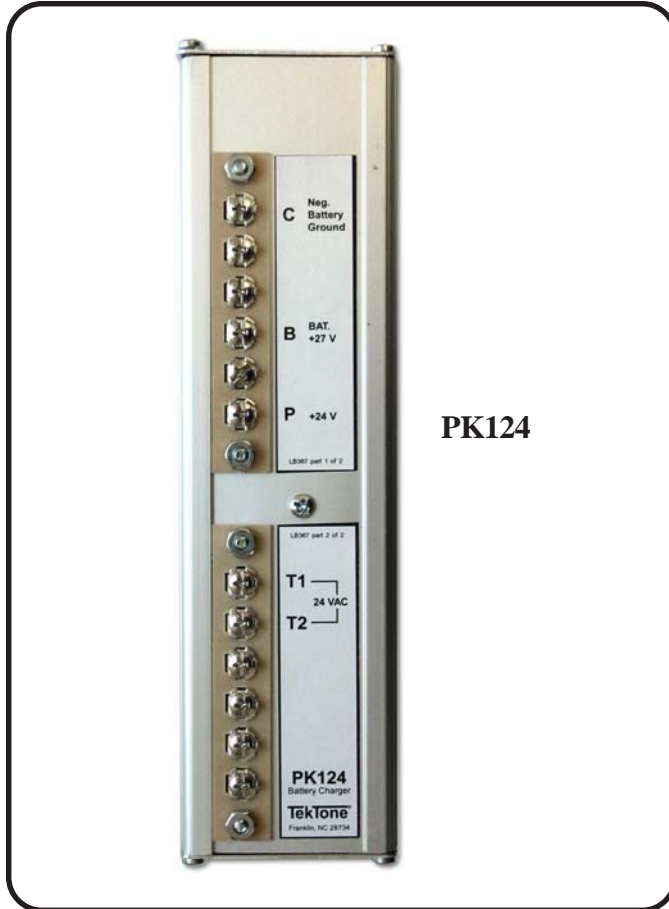
www.tektone.com

277 Industrial Park Road • Franklin, NC 28734 • tektone@tektone.net
 Phone: (828) 524-9967 • Fax: (828) 524-9968 • Tech Support: Choose option 2 • Sales: Choose option 3
 TekTone®'s quality system is registered by UL® to the ISO 9001 standard. (Reference #10001510.)



PK124 Battery Charger Specification Sheet

IL818
Section E
Rev. 4 - 04/2011



PK124

FEATURES

The PK124 Battery Charger, when used in conjunction with two BA001—12 VDC batteries, provides continuous battery charging so that if power to system equipment is interrupted, standby operating power is provided for up to approximately 6 hours. (Time may vary depending on system size and usage.)

TekTone® systems supported by the PK124 include the DS100 Door Sentry & Emergency Alarm System and the CM800 Emergency Call System.

- Low voltage operation
- Reliable alternate power supply
- Integrated circuit design
- Easy installation

SPECIFICATIONS

Dimensions: Height: 9.5" (240 mm)
 Width: 2.375" (60 mm)
 Depth: 2.25" (57 mm)

Construction: Rugged extruded aluminum case housing, quality electronic components mounted on PCB

Power: 24 VAC, 30 VA provided by SS106 transformer

Connection: Screw terminals

Mounting: Surface

ARCHITECTS' AND ENGINEERS' SPECIFICATION

The battery charger shall be TekTone® PK124 or approved equivalent, and shall be used in conjunction with two TekTone® BA001—12 VDC batteries, or approved equivalent. The PK124 shall provide continuous battery charging for approximately 6 hours for uninterrupted equipment operation during power failures.

Screw terminals shall be provided for connections. The PK124 Battery Charger shall be of rugged construction and modular integrated circuit design.

REQUIRED COMPONENTS

CM800	Emergency Call System
<i>or</i>	
DS100	Door Sentry & Emergency Alarm System

www.tektone.com

277 Industrial Park Road • Franklin, NC 28734 • tektone@tektone.net
Phone: (828) 524-9967 • Fax: (828) 524-9968 • Tech Support: Choose option 2 • Sales: Choose option 3
TekTone®'s quality system is registered by UL® to the ISO 9001 standard. (Reference #10001510.)



SS102A, SS105B, SS106 Transformers PO001 Electric Door Opener Specification Sheet

IL127
Section A
Rev. 12 - 03/2010

PO001 ELECTRIC DOOR OPENER

TekTone®'s PO001 Electric Door Opener is for use in unlocking and locking doors from a variety of TekTone® remote stations. The door opener can be installed in place of the door lock, or on a door jamb with various door lock sets. The PO001 is a normally locked type with heavy duty coils, and operates on 8-16 VAC or 3-6 VDC. The unit features a flat face with satin zinc finish and solid brass locking latch for long wear. Model PO001 is reversible for mortise-type locks and latches up to 1/2" width and throw, and is ideal for most narrow jamb mortise-type installations. Depending on the specific job requirements, the PO001 can be reversed for right or left-hand door installation.



DIMENSIONS

Faceplate: 1.25" × 5.875" (31.8 mm × 149 mm)
Case width: 0.9375" (24 mm)
Case depth: 1.4375" (37mm)
Latch opening: 1.375" (35 mm)

SS102A, SS106 TRANSFORMERS

TekTone®'s SS102A and SS106 Class 2 Transformers offer compact, easy-to-install low voltage AC power sources for use with various TekTone® intercom systems. Both transformers are UL® Listed and will safely take themselves offline when overheated. The transformers are constructed for easy installation in a standard 1/2" knockout or for surface installations, and may be used in plastic or metal boxes. Primary wire connections are made using the pre-stripped pigtails and ground wire; secondary connections are made using screw terminals.



SPECIFICATIONS

SS102A 120 VAC primary, 16 VAC 10 VA secondary
SS106 120 VAC primary, 8 VAC 20 VA
16/24 VAC 30 VA secondary

SS105B TRANSFORMER

TekTone®'s SS105B Class 2 Plug-In Transformer was designed for quick and easy installation in environments where pigtail-type transformers are impractical or unsightly. It is particularly suitable for use in office or home installations, or in areas where the transformer must be exposed. The plug-in installation saves time and money over standard transformer installation requiring hand wiring and long runs from hard-to-get-at areas. TekTone®'s unit installs quickly and easily to existing outlets and includes an extra long replacement screw for secure attachment to a faceplate.



SPECIFICATIONS

117-16 VAC 10 VA Plug-in type, UL® Listed

www.tektone.com

277 Industrial Park Road • Franklin, NC 28734 • tektone@tektone.net
Phone: (828) 524-9967 • Fax: (828) 524-9968 • Tech Support: Choose option 2 • Sales: Choose option 3
TekTone®'s quality system is registered by UL® to the ISO 9001 standard. (Reference #10001510.)



IH151N Housing Specification Sheet

IL646
Section E
Rev. 5 - 08/2010



IH151N Housing

FEATURES

The IH151N Housing is used as a central junction point for wiring in the CM800 and Tek-CARE® NC110, NC150, NC200 systems.

Knockouts are included on all sides except lid to allow the connection of electrical conduit from any direction. In addition, the lid has a knockout which can be used to install an optional key lock—the TekTone® HW231 or equivalent. A single-gang electrical junction box is mounted inside the main enclosure to allow protected electrical connections to be made. The enclosed electrical junction box is galvanized steel with a stainless steel cover plate.

- Maintenance free
- Easy Installation
- 19-gauge steel construction
- Knockouts provided
- UL® 1069 Listed when constructed with PK151A Annunciator Power & Control Unit and SS106 Transformer

ARCHITECTS' AND ENGINEERS' SPECIFICATION

Housing shall be TekTone® IH151N housing or approved equal. The IH151N housing shall be of steel construction for durability. It shall include a single-gang metal junction box to protect electrical connections.

Knockouts shall be provided on all sides except lid to facilitate easy connection of electrical conduit. The lid shall have a knockout for an optional key lock—TekTone® HW231 or equivalent.

All exposed surfaces shall be either stainless steel or painted to protect against oxidation. The outer enclosure shall be composed of 19-gauge cold-rolled steel.

SPECIFICATIONS

Dimensions:	Height:	11.75" (300 mm)
	Width:	11.75" (300 mm)
	Depth:	3.75" (96 mm)
Construction:	19 gauge, cold-rolled steel	

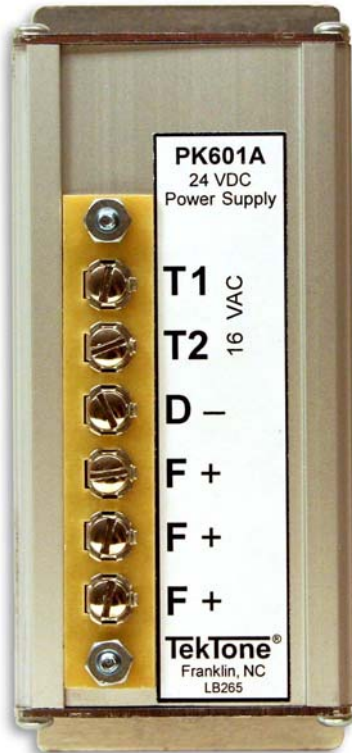
www.tektone.com

277 Industrial Park Road • Franklin, NC 28734 • tektone@tektone.net
Phone: (828) 524-9967 • Fax: (828) 524-9968 • Tech Support: Choose option 2 • Sales: Choose option 3
TekTone®'s quality system is registered by UL® to the ISO 9001 standard. (Reference #10001510.)



PK601A 24 VDC Power Supply Specification Sheet

IL420
Section D
Rev. 11-08/2010



PK601A
24 VDC Power Supply

ARCHITECTS' AND ENGINEERS' SPECIFICATION

The power supply shall be TekTone® PK601A, or approved equal, and shall provide 24 VDC power to auxiliary signaling devices used in specified TekTone® emergency call systems.

The PK601A shall also be suitable for use as a DC silent door opener adapter in specified TekTone® apartment entrance systems.

The PK601A circuitry shall be housed in a rugged extruded aluminum case. Screw terminals shall be provided for installation wiring.

FEATURES

The PK601A is a 24 VDC power supply designed to power auxiliary signaling devices used in TekTone® emergency call systems. The unit provides a filtered 24 VDC output rated at 1 amp.

Although specifically designed for use with emergency call systems, the PK601A may also be used as a DC silent door opener adapter in TekTone® apartment entrance systems.

- Easy installation
- Low-voltage operation
- Multiple applications
- Precision engineering

SPECIFICATIONS

Dimensions:	Height:	5" (127mm)
	Width:	2.375" (60mm)
	Depth:	2.25" (57mm)
Construction:	Quality electronic components mounted on a PC board encased in a rugged extruded aluminum housing	
Connections:	Screw terminals	
Mounting:	Surface	
Output voltage:	24VDC	
Output current:	1 amp	
Power Requirements:	16VAC, 30 VA	

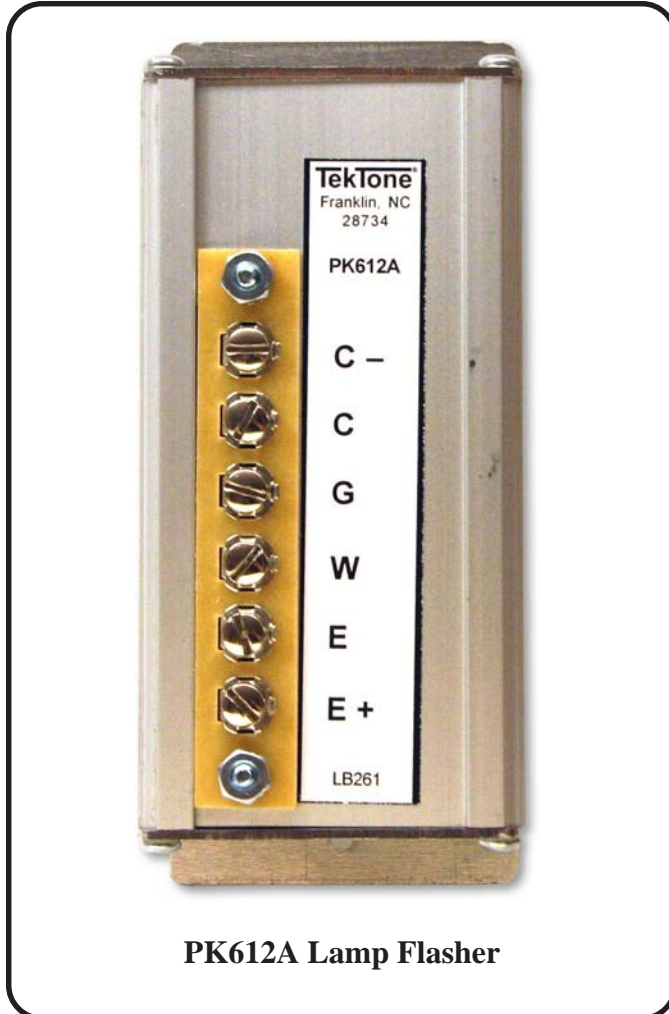
www.tektone.com

277 Industrial Park Road • Franklin, NC 28734 • tektone@tektone.net
Phone: (828) 524-9967 • Fax: (828) 524-9968 • Tech Support: Choose option 2 • Sales: Choose option 3
TekTone®'s quality system is registered by UL® to the ISO 9001 standard. (Reference #10001510.)



PK612A Lamp Flasher Specification Sheet

IL213
Section D
Rev. 12 - 07/2010



PK612A Lamp Flasher

ARCHITECTS' AND ENGINEERS' SPECIFICATION

The lamp flasher shall be TekTone®'s PK612A and shall provide 24 VDC to flash the lamps on specified TekTone® annunciator control panels and dome lamps.

The PK612A circuitry shall be housed in a rugged extruded aluminum case. Screw terminals shall be provided for installation wiring.

FEATURES

The PK612A is a light-duty lamp flasher for DC use. It is designed for emergency call annunciators or similar use where continuous operation is not necessary.

- DC operation
- Easy installation
- Low power requirement

SPECIFICATIONS

Dimensions: Height: 5" (127 mm)
 Width: 2.375" (60 mm)
 Depth: 2.25" (57 mm)

Construction: Rugged extruded aluminum case housing quality electronic components on a printed circuit board.

Connections: Screw terminals

Mounting: Surface

Power Required: 24 VDC

Duty: Light

Load Current: 1 amp

REQUIRED COMPONENTS

CM800 or CM900 Series	Annunciator
PK601A	Power Supply
PK2019	Control Unit
SF117/2B or SF117/4B	Emergency Call Switch
SS106	Transformer

www.tektone.com

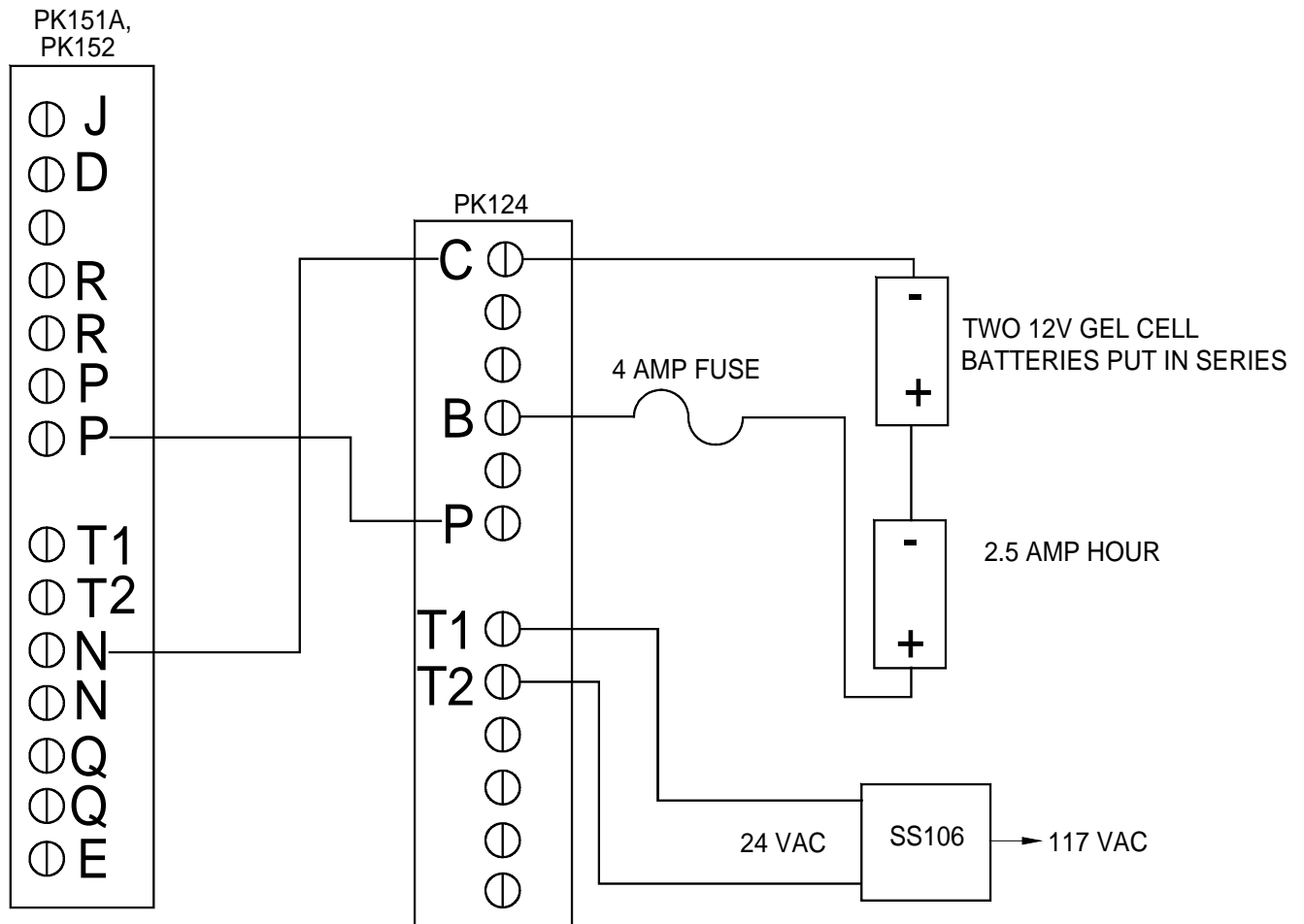
277 Industrial Park Road • Franklin, NC 28734 • tektone@tektone.net
 Phone: (828) 524-9967 • Fax: (828) 524-9968 • Tech Support: Choose option 2 • Sales: Choose option 3
 TekTone®'s quality system is registered by UL® to the ISO 9001 standard. (Reference #10001510.)



Wiring Diagrams for PK124 Battery Charger

IL426
Section E
Rev. 10-03/2011

PK124 to PK151A or PK152 (NC110N, NC150N, NC200N) Interconnect Wiring Diagram



IL426 PK124 to PK151A PK152 Interconnect Wiring Diagram Rev1 031811 1

Notes:

1. Do not connect transformer to PK151A or PK152.
2. Use 24 VAC connections on SS106 transformer.
3. All wiring #18 unless shown.
4. See installation manual for additional PK151A or PK152 connections.

www.tektone.com

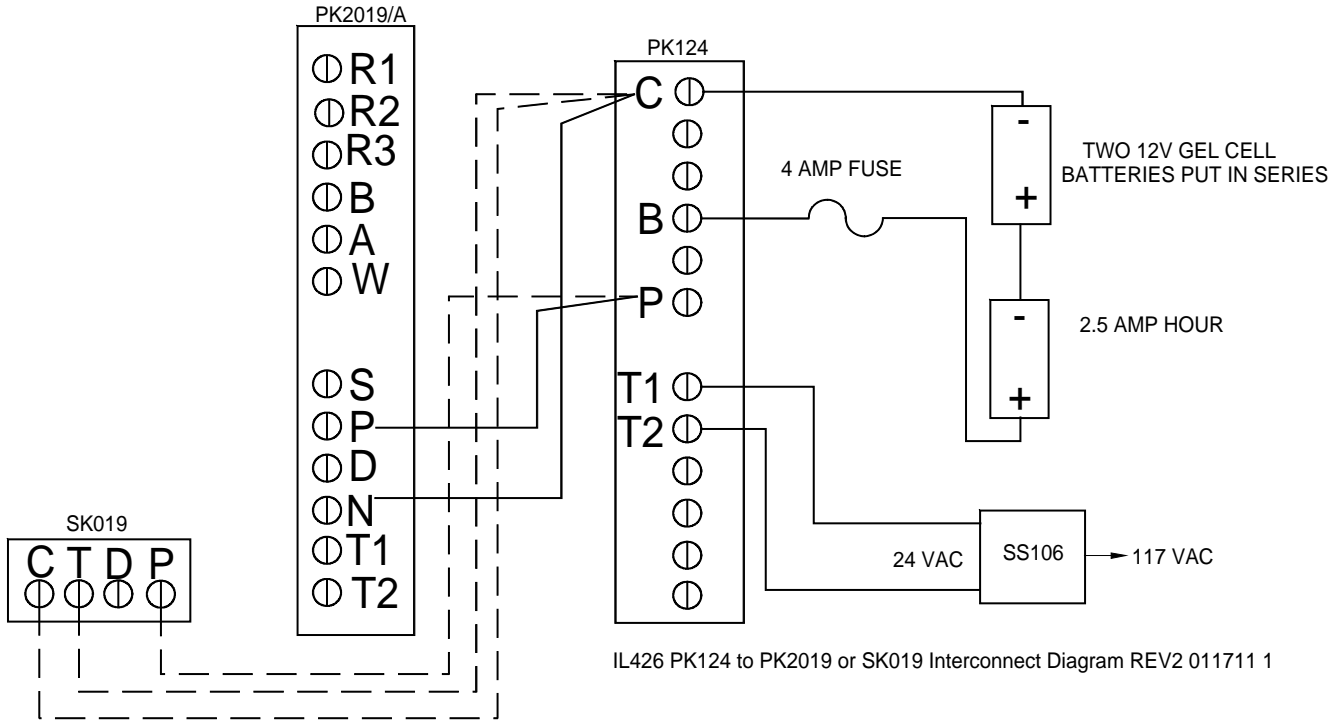
277 Industrial Park Road • Franklin, NC 28734 • tektone@tektone.net

Phone: (828) 524-9967 • Fax: (828) 524-9968 • Tech Support: Choose option 2 • Sales: Choose option 3

TekTone®'s quality system is registered by UL® to the ISO 9001 standard. (Reference #10001510.)

Copyright © Tektone Sound & Signal Mfg., Inc. All Rights Reserved.

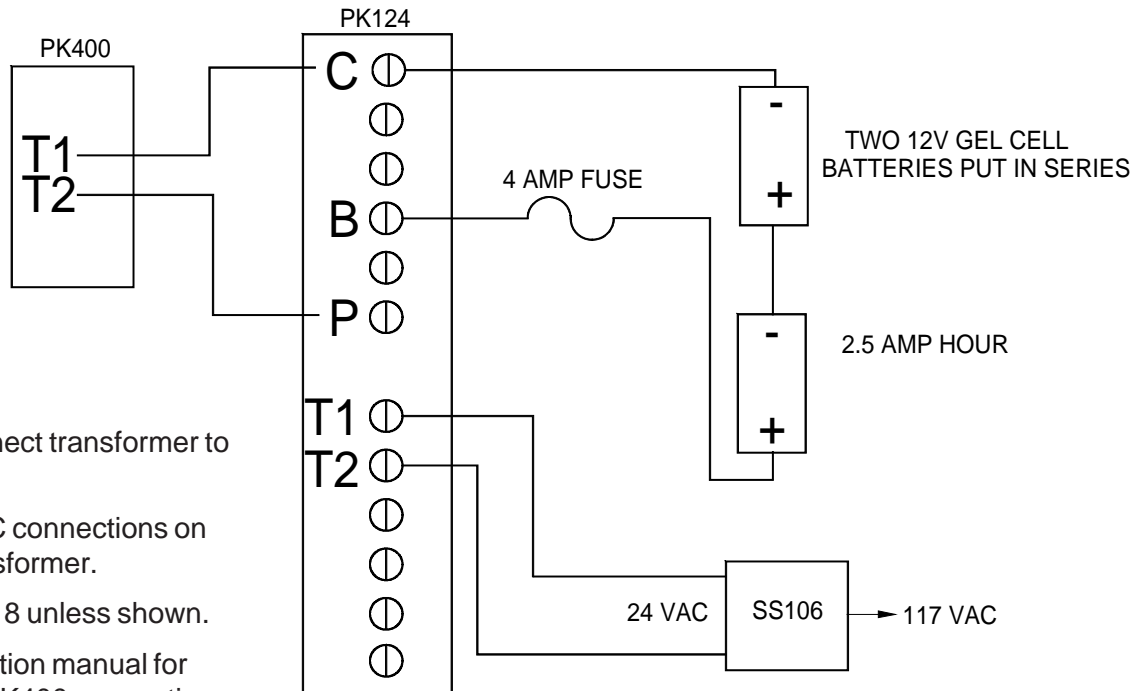
PK124 to PK2019/A (CM800, CM900) or SK109 (DS100) Interconnect Wiring Diagram



Notes:

1. Do not connect transformer to PK2019/A or SK019.
2. Use 24 VAC connections on SS106 transformer.
3. All wiring #18 unless shown.
4. See installation manual for additional PK2019/A or SK019 connections.

PK124 to PK400 Interconnect Wiring Diagram



Notes:

1. Do not connect transformer to PK400.
2. Use 24 VAC connections on SS106 transformer.
3. All wiring #18 unless shown.
4. See installation manual for additional PK400 connections.



Housings Reference Chart

NOTES:

1. For "SF" Series Emergency Switches, use single gang ring, or single gang ring and double gang box IH357/IH358.
2. For "LI" Dome Light Series, use double gang ring (or double gang ring and box).
3. For "AM" and "CM" Series, see specification requirements.
4. For IR300 Series Nurse Call Stations, use Steel City #3GC and #H3BD or exact equivalent.
5. For IR150B Series, use Steel City #3GC and #H3BD. If space is limited, use ARC-CO#2GBD and #3GC.
6. For IR150SS Station, use OH600 flush housing mounted horizontally.
7. The last two digits of frame and housing model numbers indicate the number of gangs (i.e., panel capacity). Exceptions: IH101, IH102, OH600, OH601, IH400A.

Model #	IH101 backbox (flush)	IH102 ring (flush)	IH400A housing (desk)
IR100B	×	×	×
IR102C	×	×	×
IR103E	×	×	×
IR104E	×	×	×
IR105E	×	×	×
IR203E			×
IR204E			×
IR205E			×
IR207B	use standard 2-gang electrical box		
IR704BD	×	×	×
OR500 Series	×	×	
OR600 Series	use standard 1-gang electrical box		
SM201B SM201K/P	use standard 1-gang electrical box		×

Dimension and Finish Chart—Housings, Frames, Desk Cabinets

Flush Mount Housings					
Model#	Overall Width	Wall Cutout Width	Overall Height	Wall Cutout Height	Overall Depth
IH101	4"	4-1/4"	5-1/2"	5-3/4"	1-3/4"
IH102	4-3/4"	4-1/4"	6"	5-5/8"	1/2"
OH150	5-1/4"	4-1/2"	11-1/8"	10-5/8"	3-7/8"
OH191	4-3/8"	4-1/2"	17-1/8"	17-1/4"	3-1/2"
OH192	8-3/8"	8-1/2"	17-1/8"	17-1/4"	3-1/2"
OH193	12-3/8"	12-1/2"	17-1/8"	17-1/4"	3-1/2"
OH194	16-3/8"	16-1/2"	17-1/8"	17-1/4"	3-1/2"
OH195	20-3/8"	20-1/2"	17-1/8"	17-1/4"	3-1/2"
OH201	5-3/8"	4-1/2"	16-7/8"	16-1/4"	3-7/8"
OH202	9-3/8"	8-1/2"	16-7/8"	16-1/4"	3-7/8"
OH203	13-3/8"	12-1/2"	16-7/8"	16-1/4"	3-7/8"
OH600	4"	4-1/4"	10-3/16"	10-3/8"	1-13/16"
OH601	4"	4-1/4"	16-1/16"	16-1/4"	1-13/16"

Frames		
Model #	Width	Wall Cutout
OF191	6-1/4"	-
OF192	10-1/4"	-
OF193	14-1/4"	-
OF194	18-1/4"	-
OF195	22-1/4"	-
Height: 19" (overall)		
Depth: 7/8"		
OF201	6-1/4"	4-1/2"
OF202	10-1/4"	8-1/2"
OF203	14-1/4"	12-1/2"
Height: 17-3/4" (overall)		
Cutout: 15-7/8"		
Depth: 2-1/2"		

Desk Cabinets		
Model #	Width	Depth
*IH302	9-1/2"	6"
*IH303	13-1/2"	6"
*IH304	17-1/2"	6"
IH400A (white)	5"	7"
* Cabinet Assembly Only. IH300 series Height = 17"		

Surface Mount Frames			
Model #	Width	Height	Depth
OF190S	4-1/4"	19-3/4"	1-1/2"
OF191S	6-1/4"	19"	2-1/4"
OF192S	10-1/4"	19"	2-1/4"
OF193S	14-1/4"	19"	2-1/4"
OF194S	18-1/4"	19"	2-1/4"
OF195S	22-1/4"	19"	2-1/4"

Surface Mount Housings	
Model #	Width
OH301	6-1/8"
OH302	10-1/8"
Height: 17-3/4"	
Depth: 3-5/8"	

www.tektone.NET